



State of West Virginia
 Department of Administration
 Purchasing Division
 2019 Washington Street East
 Post Office Box 50130
 Charleston, WV 25305-0130

Request for Quotation

RFQ NUMBER
VET07C003

PAGE
1

ADDRESS CORRESPONDENCE TO ATTENTION OF
RON PRICE
304-558-0492

RFQ COPY
 TYPE NAME/ADDRESS HERE

VENDOR

WARD'S, INC.
 ROUTE 69, P. O. BOX 179
 ANMOORE, WV 26829
 304-323-0243

SHIP TO

DIVISION OF VETERANS AFFAIRS
VETERANS NURSING FACILITY
ONE FREEDOMS WAY
CLARKSBURG, WV
26301 **304-627-2415**

DATE PRINTED	TERMS OF SALE	SHIP VIA	F.O.B.	FREIGHT TERMS
11/13/2006				

BID OPENING DATE: **11/29/2006** BID OPENING TIME: **01:30PM**

LINE	QUANTITY	UOP	CAT NO	ITEM NUMBER	UNIT PRICE	AMOUNT
0001	2	EA		740-70	\$ 2,975.00	\$ 5,950.00
REFRIGERATOR/FREEZERS <i>See spec sheets enclosed</i> <i>Alternate item Cold Tech #J2SRF-20B</i>						
0002	4	EA		740-70	\$ 1,975.00	\$ 7,900.00
REFRIGERATORS <i>Alternate item Cold Tech #CFD-1R</i> PROVIDE TWO (2) REFRIGERATOR/FREEZERS TRAUlsen ONE-SECTION REACH-IN MODEL NO. ADT132DUT-HHS. OR EQUAL FOUR (4) REFRIGERATORS TRAUlsen ONE-SECTION MODEL NO. AHT126WUT-FHS OR EQUAL TO THE WV VETERANS NURSING FACILITY, ONE FREEDOMS WAY, CLARKSBURG, WV 26301 PER THE ATTACHED SPECIFICATIONS. THE MODEL/BRAND/SPECIFICATIONS NAMED HEREIN ESTABLISH THE ACCEPTABLE LEVEL OF QUALITY ONLY AND ARE NOT INTENDED TO REFLECT A PREFERENCE OR FAVOR ANY PARTICULAR BRAND OR VENDOR. VENDORS WHO ARE BIDDING ALTERNATES SHOULD SO STATE AND INCLUDE PERTINENT LITERATURE AND SPECIFICATIONS. FAILURE TO PROVIDE INFORMATION FOR ANY ALTERNATES MAY BE GROUNDS FOR REJECTION OF THE BID. THE STATE RESERVES THE RIGHT TO WAIVE MINOR IRREGULARITIES IN BIDS OR SPECIFICATIONS IN ACCORDANCE WITH SECTION 148-1-4(F) OF THE WEST VIRGINIA LEGISLATIVE RULES AND REGULATIONS. VENDOR PREFERENCE CERTIFICATE CERTIFICATION AND APPLICATION* IS HEREBY MADE FOR						

SEE REVERSE SIDE FOR TERMS AND CONDITIONS

SIGNATURE <i>Ralbert</i>	TELEPHONE 304 623-6046	DATE 11/21/06
TITLE <i>Om</i>	FEIN 550579928	ADDRESS CHANGES TO BE NOTED ABOVE

WHEN RESPONDING TO RFQ, INSERT NAME AND ADDRESS IN SPACE ABOVE LABELED 'VENDOR'

WV contractor W009304



State of West Virginia
 Department of Administration
 Purchasing Division
 2019 Washington Street East
 Post Office Box 50130
 Charleston, WV 25305-0130

Request for Quotation

RFQ NUMBER
VET07C003

PAGE
2

ADDRESS CORRESPONDENCE TO ATTENTION OF
RON PRICE
304-558-0492

VENDOR

RFQ COPY
 TYPE NAME/ADDRESS HERE

WARD'S, INC.
 ROUTE 59, P. O. BOX 179
 ANMOORE, WV 20329
 804-321-0043

SHIP TO

DIVISION OF VETERANS AFFAIRS
 VETERANS NURSING FACILITY

ONE FREEDOMS WAY
 CLARKSBURG, WV
 26301 304-627-2415

DATE PRINTED	TERMS OF SALE	SHIP VIA	F.O.B.	FREIGHT TERMS
11/13/2006				

BID OPENING DATE: **11/29/2006** BID OPENING TIME **01:30PM**

LINE	QUANTITY	UOP	CAT NO	ITEM NUMBER	UNIT PRICE	AMOUNT
<p>PREFERENCE IN ACCORDANCE WITH WEST VIRGINIA CODE, 5A-3-37 (DOES NOT APPLY TO CONSTRUCTION CONTRACTS).</p> <p>A. APPLICATION IS MADE FOR 2.5% PREFERENCE FOR THE REASON CHECKED:</p> <p>() BIDDER IS AN INDIVIDUAL RESIDENT VENDOR AND HAS RESIDED CONTINUOUSLY IN WEST VIRGINIA FOR FOUR (4) YEARS IMMEDIATELY PRECEDING THE DATE OF THIS CERTIFICATION; OR</p> <p><input checked="" type="checkbox"/> BIDDER IS A PARTNERSHIP, ASSOCIATION OR CORPORATION RESIDENT VENDOR AND HAS MAINTAINED ITS HEAD-QUARTERS OR PRINCIPAL PLACE OF BUSINESS CONTINUOUSLY IN WEST VIRGINIA FOR FOUR (4) YEARS IMMEDIATELY PRECEDING THE DATE OF THIS CERTIFICATION; OR 80% OF THE OWNERSHIP INTEREST OF BIDDER IS HELD BY ANOTHER INDIVIDUAL, PARTNERSHIP, ASSOCIATION OR CORPORATION RESIDENT VENDOR WHO HAS MAINTAINED ITS HEADQUARTERS OR PRINCIPAL PLACE OF BUSINESS CONTINUOUSLY IN WEST VIRGINIA FOR FOUR (4) YEARS IMMEDIATELY PRECEDING THE DATE OF THIS CERTIFICATION; OR</p> <p>() BIDDER IS A CORPORATION NONRESIDENT VENDOR WHICH HAS AN AFFILIATE OR SUBSIDIARY WHICH EMPLOYS A MINIMUM OF ONE HUNDRED STATE RESIDENTS AND WHICH HAS MAINTAINED ITS HEADQUARTERS OR PRINCIPAL PLACE OF BUSINESS WITHIN WEST VIRGINIA CONTINUOUSLY FOR THE FOUR (4) YEARS IMMEDIATELY PRECEDING THE DATE OF THIS CERTIFICATION.</p> <p>B. APPLICATION IS MADE FOR 2.5% PREFERENCE FOR THE REASON CHECKED:</p> <p><input checked="" type="checkbox"/> BIDDER IS A RESIDENT VENDOR WHO CERTIFIES THAT, DURING THE LIFE OF THE CONTRACT, ON AVERAGE AT LEAST</p>						

SEE REVERSE SIDE FOR TERMS AND CONDITIONS

SIGNATURE <i>[Signature]</i>	TELEPHONE 304 623-6646	DATE 11/21/06
TITLE OM	FEIN 550579928	ADDRESS CHANGES TO BE NOTED ABOVE

WHEN RESPONDING TO RFQ, INSERT NAME AND ADDRESS IN SPACE ABOVE LABELED 'VENDOR'



State of West Virginia
 Department of Administration
 Purchasing Division
 2019 Washington Street East
 Post Office Box 50130
 Charleston, WV 25305-0130

Request for Quotation

RFQ NUMBER
VET07C003

PAGE
3

ADDRESS CORRESPONDENCE TO ATTENTION OF:
**RON PRICE
 304-558-0492**

VENDOR

RFQ COPY
 TYPE NAME/ADDRESS HERE

WARD'S, INC.
 ROUTE 58, P. O. BOX 179
 ANMOORE, WV 26828
 304-623-8940

SHIP TO

**DIVISION OF VETERANS AFFAIRS
 VETERANS NURSING FACILITY**

**ONE FREEDOMS WAY
 CLARKSBURG, WV
 26301 304-627-2415**

DATE PRINTED	TERMS OF SALE	SHIP VIA	FOB	FREIGHT TERMS
11/13/2006				

BID OPENING DATE: **11/29/2006** BID OPENING TIME **01:30PM**

LINE	QUANTITY	UOP	CAT NO	ITEM NUMBER	UNIT PRICE	AMOUNT
<p>75% OF THE EMPLOYEES WORKING ON THE PROJECT BEING BID ARE RESIDENTS OF WEST VIRGINIA WHO HAVE RESIDED IN THE STATE CONTINUOUSLY FOR THE TWO YEARS IMMEDIATELY PRECEDING SUBMISSION OF THIS BID; OR () BIDDER IS A NONRESIDENT VENDOR EMPLOYING A MINIMUM OF ONE HUNDRED STATE RESIDENTS OR IS A NONRESIDENT VENDOR WITH AN AFFILIATE OR SUBSIDIARY WHICH MAINTAINS ITS HEADQUARTERS OR PRINCIPAL PLACE OF BUSINESS WITHIN WEST VIRGINIA EMPLOYING A MINIMUM OF ONE HUNDRED STATE RESIDENTS WHO CERTIFIES THAT, DURING THE LIFE OF THE CONTRACT, ON AVERAGE AT LEAST 75% OF THE EMPLOYEES OR BIDDERS' AFFILIATE'S OR SUBSIDIARY'S EMPLOYEES ARE RESIDENTS OF WEST VIRGINIA WHO HAVE RESIDED IN THE STATE CONTINUOUSLY FOR THE TWO YEARS IMMEDIATELY PRECEDING SUBMISSION OF THIS BID.</p> <p>BIDDER UNDERSTANDS IF THE SECRETARY OF TAX & REVENUE DETERMINES THAT A BIDDER RECEIVING PREFERENCE HAS FAILED TO CONTINUE TO MEET THE REQUIREMENTS FOR SUCH PREFERENCE, THE SECRETARY MAY ORDER THE DIRECTOR OF PURCHASING TO: (A) RESCIND THE CONTRACT OR PURCHASE ORDER ISSUED; OR (B) ASSESS A PENALTY AGAINST SUCH BIDDER IN AN AMOUNT NOT TO EXCEED 5% OF THE BID AMOUNT AND THAT SUCH PENALTY WILL BE PAID TO THE CONTRACTING AGENCY OR DEDUCTED FROM ANY UNPAID BALANCE ON THE CONTRACT OR PURCHASE ORDER.</p> <p>BY SUBMISSION OF THIS CERTIFICATE, BIDDER AGREES TO DISCLOSE ANY REASONABLY REQUESTED INFORMATION TO THE PURCHASING DIVISION AND AUTHORIZES THE DEPARTMENT OF TAX AND REVENUE TO DISCLOSE TO THE DIRECTOR OF PURCHASING APPROPRIATE INFORMATION VERIFYING THAT BIDDER HAS PAID THE REQUIRED BUSINESS TAXES, PROVIDED THAT SUCH INFORMATION DOES NOT CONTAIN THE AMOUNTS OF TAXES PAID NOR ANY OTHER INFORMATION DEEMED BY THE TAX</p>						

SEE REVERSE SIDE FOR TERMS AND CONDITIONS

SIGNATURE <i>R. Ward</i>	TELEPHONE 304 623-6646	DATE 11/21/06
TITLE <i>OM</i>	FEIN 550579928	ADDRESS CHANGES TO BE NOTED ABOVE

WHEN RESPONDING TO RFQ, INSERT NAME AND ADDRESS IN SPACE ABOVE LABELED 'VENDOR'



State of West Virginia
 Department of Administration
 Purchasing Division
 2019 Washington Street East
 Post Office Box 50130
 Charleston, WV 25305-0130

Request for Quotation

RFQ NUMBER
VET07C003

PAGE
4

ADDRESS CORRESPONDENCE TO ATTENTION OF:
RON PRICE
304-558-0492

RFQ COPY
 TYPE NAME/ADDRESS HERE

VENDOR

WARD'S, INC.
 ROUTE 88, P. O. BOX 179
 ANMOORE, WV 26023
 304-592-6430

SHIP TO

DIVISION OF VETERANS AFFAIRS
VETERANS NURSING FACILITY
 ONE FREEDOMS WAY
 CLARKSBURG, WV
 26301 304-627-2415

DATE PRINTED	TERMS OF SALE	SHIP VIA	FOB	FREIGHT TERMS
11/13/2006				

BID OPENING DATE: **11/29/2006** BID OPENING TIME **01:30PM**

LINE	QUANTITY	UOP	CAT. NO.	ITEM NUMBER	UNIT PRICE	AMOUNT
<p>COMMISSIONER TO BE CONFIDENTIAL.</p> <p>UNDER PENALTY OF LAW FOR FALSE SWEARING (WEST VIRGINIA CODE 61-5-3), BIDDER HEREBY CERTIFIES THAT THIS CERTIFICATE IS TRUE AND ACCURATE IN ALL RESPECTS; AND THAT IF A CONTRACT IS ISSUED TO BIDDER AND IF ANYTHING CONTAINED WITHIN THIS CERTIFICATE CHANGES DURING THE TERM OF THE CONTRACT, BIDDER WILL NOTIFY THE PURCHASING DIVISION IN WRITING IMMEDIATELY.</p> <p>BIDDER: <u>WARD'S INC.</u></p> <p>DATE: <u>11-21-2006</u></p> <p>SIGNED: <u>Robin Ward</u></p> <p>TITLE: <u>Operations Manager</u></p> <p>* CHECK ANY COMBINATION OF PREFERENCE CONSIDERATION(S) IN EITHER "A" OR "B", OR BOTH "A" AND "B" WHICH YOU ARE ENTITLED TO RECEIVE. YOU MAY REQUEST UP TO THE MAXIMUM 5% PREFERENCE FOR BOTH "A" AND "B". (REV. 12/00)</p> <p>NOTICE</p> <p>A SIGNED BID MUST BE SUBMITTED TO:</p> <p>DEPARTMENT OF ADMINISTRATION PURCHASING DIVISION BUILDING 15 2019 WASHINGTON STREET, EAST CHARLESTON, WV 25305-0130</p>						

SEE REVERSE SIDE FOR TERMS AND CONDITIONS

SIGNATURE <u>Robin Ward</u>	TELEPHONE <u>304 623-6646</u>	DATE <u>11/21/06</u>
TITLE <u>Om</u>	FEIN <u>550579928</u>	ADDRESS CHANGES TO BE NOTED ABOVE

WHEN RESPONDING TO RFQ, INSERT NAME AND ADDRESS IN SPACE ABOVE LABELED 'VENDOR'



State of West Virginia
 Department of Administration
 Purchasing Division
 2019 Washington Street East
 Post Office Box 50130
 Charleston, WV 25305-0130

Request for Quotation

RFQ NUMBER
VET07C003

PAGE
5

ADDRESS CORRESPONDENCE TO ATTENTION OF
**RON PRICE
 304-558-0492**

VENDOR

RFQ COPY
 TYPE NAME/ADDRESS HERE

WARD'S, INC.
 ROUTE 55, P. O. BOX 179
 ANMOONTE, WV 26029
 304-673-0848

SHIP TO

**DIVISION OF VETERANS AFFAIRS
 VETERANS NURSING FACILITY
 ONE FREEDOMS WAY
 CLARKSBURG, WV
 26301 304-627-2415**

DATE PRINTED	TERMS OF SALE	SHIP VIA	F.O.B.	FREIGHT TERMS
11/13/2006				

BID OPENING DATE: **11/29/2006** BID OPENING TIME **01:30PM**

LINE	QUANTITY	UOP	CAT. NO.	ITEM NUMBER	UNIT PRICE	AMOUNT
<p>THE BID SHOULD CONTAIN THIS INFORMATION ON THE FACE OF THE ENVELOPE OR THE BID MAY NOT BE CONSIDERED:</p> <p>SEALED BID</p> <p>BUYER: 41</p> <p>RFQ. NO.: VET07C003</p> <p>BID OPENING DATE: 11/29/2006</p> <p>BID OPENING TIME: 1:30 PM</p> <p>PLEASE PROVIDE A FAX NUMBER IN CASE IT IS NECESSARY TO CONTACT YOU REGARDING YOUR BID: ----- 304-623-6647 -----</p> <p>CONTACT PERSON (PLEASE PRINT CLEARLY): ----- ROBIN WARD -----</p> <p>***** THIS IS THE END OF RFQ VET07C003 ***** TOTAL: <u>\$13,850.⁰⁰</u></p>						

SEE REVERSE SIDE FOR TERMS AND CONDITIONS

SIGNATURE Robin Ward TELEPHONE 304 623-6646 DATE 11/21/06

TITLE OM FEIN 550579928 ADDRESS CHANGES TO BE NOTED ABOVE

WHEN RESPONDING TO RFQ, INSERT NAME AND ADDRESS IN SPACE ABOVE LABELED 'VENDOR'

A F F I D A V I T

West Virginia Code §5A-3-10a states:

No contract or renewal of any contract may be awarded by the state or any of its political subdivisions to any vendor or prospective vendor when the vendor or prospective vendor or a related party to the vendor or prospective vendor is a debtor and the debt owned is an amount greater than one thousand dollars in the aggregate

DEFINITIONS:

"Debt" means any assessment, premium, penalty, fine, tax or other amount of money owed to the state or any of its political subdivisions because of a judgment, fine, permit violation, license assessment, defaulted workers' compensation premium, penalty or other assessment presently delinquent or due and required to be paid to the state or any of its political subdivisions, including any interest or additional penalties accrued thereon.

"Debtor" means any individual, corporation, partnership, association, limited liability company or any other form or business association owing a debt to the state or any of its political subdivisions. "Political subdivision" means any county commission; municipality; county board of education; any instrumentality established by a county or municipality; any separate corporation or instrumentality established by one or more counties or municipalities, as permitted by law; or any public body charged by law with the performance of a government function or whose jurisdiction is coextensive with one or more counties or municipalities. "Related party" means a party, whether an individual, corporation, partnership, association, limited liability company or any other form or business association or other entity whatsoever, related to any vendor by blood, marriage, ownership or contract through which the party has a relationship of ownership or other interest with the vendor so that the party will actually or by effect receive or control a portion of the benefit, profit or other consideration from performance of a vendor contract with the party receiving an amount that meets or exceeds five percent of the total contract amount.

EXCEPTION:

The prohibition of this section does not apply where a vendor has contested any tax administered pursuant to chapter eleven of this code, workers' compensation premium, permit fee or environmental fee or assessment and the matter has not become final or where the vendor has entered into a payment plan or agreement and the vendor is not in default of any of the provisions of such plan or agreement.

LICENSING:

Vendors must be licensed and in good standing in accordance with any and all state and local laws and requirements by any state or local agency of West Virginia, including, but not limited to, the West Virginia Secretary of State's Office, the West Virginia Tax Department, West Virginia Insurance Commission, or any other state agencies or political subdivision. Furthermore, the vendor must provide all necessary releases to obtain information to enable the Director or spending unit to verify that the vendor is licensed and in good standing with the above entities.

CONFIDENTIALITY:

The vendor agrees that he or she will not disclose to anyone, directly or indirectly, any such personally identifiable information or other confidential information gained from the agency, unless the individual who is the subject of the information consents to the disclosure in writing or the disclosure is made pursuant to the agency's policies, procedures and rules. Vendors should visit www.state.wv.us/admin/purchase/privacy for the Notice of Agency Confidentiality Policies.

Under penalty of law for false swearing (West Virginia Code, §61-5-3), it is hereby certified that the vendor acknowledges the information in this said affidavit and are in compliance with the requirements as stated.

Vendor's Name: WARD'S INC.

Authorized Signature:  Date: 11/21/06

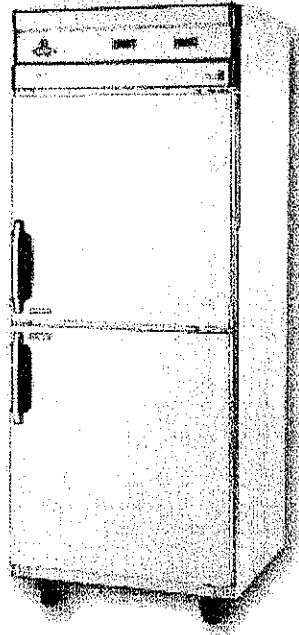


Jimex Corp.

THE NEW SYMBOL OF INNOVATION™

- Home
 - Catalog
 - News
 - Reps
 - About Us
 - Contact Us
- [Glass Door](#) | [Prep Table](#) | [Undercounter](#) | [Storage Freezer](#) | [Beer Equipment](#) | [Stainless Steel](#)

Model: J2SRF-20B / Two half door dual temp REF(1dr) / FRE(1dr), 20 cu.ft.



Exterior	Stainless
Interior	Stainless
Ext. Dimensions	29.1" x 32.5" x 76.2"
Shelves	4
Casters	5" included
Cubic Feet	10 (R), 10 (F)
H/P	1/5 (R), 1/4 (F)
Volts	115 / 60 Hz
Amps (run)	9.6
Refrigerant	R-134a (R), R-404a (F)
NEMA	5-20p
Unit weight	335
Shipping weight	360

Patent No.: D455,160S D455,161S D455,159S



Conforms to UL std. 471
 Certified to CSA std. C22.2
 NSF std. 007

Standard Features:

- Self-contained top mounted refrigeration with electric condensate; no plumbing or floor drain required
 - Exterior computerized temperature display; fast and accurate temperature setting
- Digital LED display controller with adjustable defrost, temperature variance, setpoint limit, and parameter locking; tamper-proof controls
 - 2.5" thick, foamed-in-place, CFC-free, polyurethane insulation
- Energy-efficient half door design; keeps cold air from escaping when doors are open
 - Adjustable tension spring loaded doors; automatic door closure
- Exclusive height design, 76.2" on casters; rolls through most doorways
 - Door locks
 - One interior light

Optional Features:

- Glass doors (refrigerator only, factory install only)
- Reversible door swing

Refrigerators: J2SRR-21B | J4SRR-40B | J6SRR-61B | CFD-1R | CFD-2R | CFD-3R

Freezers: J2SFF-21B | J4SFF-40B | J6SFF-61B | CFD-1F | CFD-2F | CFD-3F

Dual Temps: J2SRF-20B | J4SRF-40B | J4SRF-40BQ | J6SRF-61B | J4SRF-40H (residential)

[Home](#) | [Catalog](#) | [News](#) | [Reps](#) | [About Us](#) | [Contact Us](#)

Solid Door | Glass Door | Prep Table | Undercounter | Storage Freezer | Beer Equipment | Stainless Steel Equipment

Copyright © 2005 Jimex Corporation, All rights reserved.

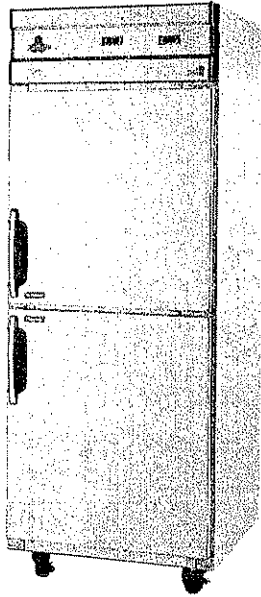


The New Symbol of Innovation

PROJECT _____

QTY. _____ ITEM NO. _____

Two Solid Half Door Refrigerator/Freezer



J2SRF-20B
1/2 refrigerator, 1/2 freezer



Stainless steel interior & exterior standard!
Energy-saving half door design!
Convenient low box height - without sacrificing interior storage space!

STANDARD FEATURES:

- Capillary tube
- CFC-free R-134a & R-404a Refrigerant
- 2 Epoxy-Coated Wire Shelves per Door
- Snap-In Magnetic Door Gaskets
- 6' Cord & Plug
- 5" Casters
- Foamed-in-place Polyurethane Insulation
- Fully Coved Interior Corners
- Energy-Saving Half Door Design
- Door Locks Standard
- Top-Mounted Compressor & Evaporator Coil
- Electric Condensate Evaporator
- Exterior Digital Temperature Control
- Interior Lights
- Assembled in the USA

MATERIALS:

INTERIOR: 304 series stainless steel interior for durability and appearance.

Epoxy-coated wire shelves.

EXTERIOR: Stainless steel cabinet and doors.



DIMENSIONAL DATA (DUAL TEMPS):

Model No.	L	D	H	Half Doors	Cu.Ft.	Shelves	H/P	Volt	Amp.	NEMA	Ship Wt.
J2SRF-20B	29.1	32.5	76.2	2	20	3	1/5, 1/4	115/60/1	9.6	5-20P	360
J4SRF-40B	49.6	32.5	76.2	4	40	8	1/5, 1/2	115/60/1	10.7	5-20P	525
J4SRF-40BQ	49.6	32.5	76.2	4	40	8	1/4, 1/4	115/60/1	10.7	5-20P	540
J6SRF-61B	74.8	32.5	76.2	6	61	12	1/3, 1/2	115/60/1	12.4	5-20P	675



Refrigeration Equipment Manufacturer

Solid Door Refrigerator/Freezer

J2SRF-20B

Description: Two solid half door REF(1/2)FRE(1/2), 20 cu. ft

Features & Benefits

Stainless steel interior and exterior for greater durability, construction and appearance.

Self-contained top mounted refrigeration system and high humidity coated fin coil evaporator.

- Holds -10° F to 10° F as freezer
- Holds 30° F to 45° F as refrigerator

Automatic interior lights in refrigerator and freezer sections.

Exterior LED temperature display with digital controls. Temperature setting is easy, fast and accurate.

Micro-controller with adjustable temperature variance, automatic defrost intervals, setpoint limits, and parameter locking functions.

2.5" thick, foamed-in-place polyurethane high density insulation.

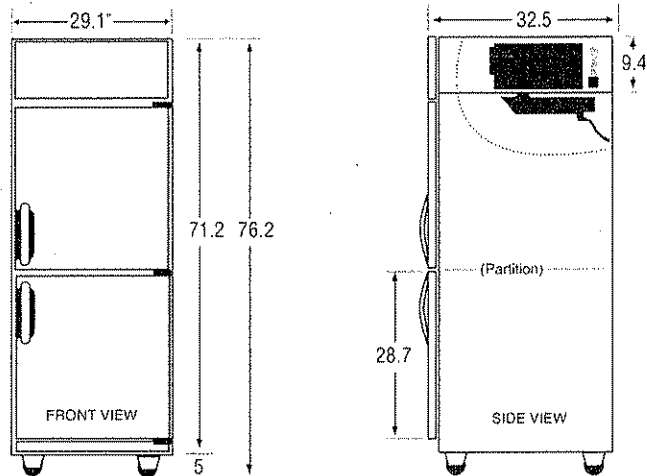
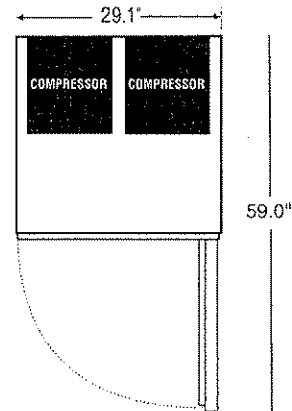
4 adjustable epoxy-coated steel wire shelves. 5" casters standard. Easy mobility and installation.

Convenient and energy-efficient half-door design.

Heavy-duty overall construction for high-volume, constant duty operation.

Adjustable tension spring loaded doors.

Electric condensate evaporator - no floor drain required!



OPTIONS

- Extra Interior Shelves Qty. _____
- Bun Tray Racks (per section) Qty. _____
- Glass Doors (cooler section only)
- Reverse hinge Kit _____
- Factory Install _____

General Information

Cubic Ft.: 20

Shelf Size: 24.5" x 23.75"

Half Doors: 2

Unit Weight: 335 lbs.

Exterior: Stainless Steel

Ship Weight: 360 lbs.

Interior: Stainless Steel

Technical Data

Refrigerant: R-134a & R-404a

Volts: 115

Start Amps: 14.40

#Compressors: 2

Run Amps: 9.60

Cord Length: 96 in.

Horsepower: 1/5, 1/4

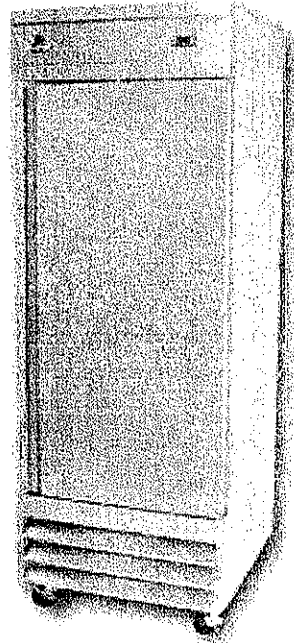
SPECIFICATIONS SUBJECT TO CHANGE WITHOUT NOTICE



Jimex Corp.
THE NEW SYMBOL OF INNOVATION™

- Home
 - Catalog
 - News
 - Reps
 - About Us
 - Contact Us
- [Glass Door](#) | [Prep Table](#) | [Undercounter](#) | [Storage Freezer](#) | [Beer Equipment](#) | [Stainless Steel](#)

Model: CFD-1R / One full door refrigerator, 23 cu.ft.



Exterior	Stainless
Interior	Stainless
Ext. Dimensions	29.0" x 32.3" x 82.5"
Shelves	3
Casters	5" included
Cubic Feet	23
H/P	1/3
Volts	115 / 60 Hz
Amps (run)	6.32
Refrigerant	R-134a
NEMA	5-20p
Unit weight	330
Shipping weight	360



Conforms to UL std. 471
Certified to CSA std. C22.2
NSF std. 007

Standard Features

- Self-contained bottom mounted refrigeration with hot gas condensate; no plumbing or floor drain required
 - Exterior computerized temperature display; fast and accurate temperature setting
- Digital LED display controller with adjustable temperature variance, setpoint limit, and parameter locking; tamper-proof controls
 - 2.5" thick, foamed-in-place, CFC-free, polyurethane insulation
 - Full length recessed door handle; grab the handle top or bottom
- Spring loaded doors with 90 degree hold open feature; automatic door closure
 - 5" casters (pre-installed)
- Exclusive sliding shelf system; shelves slide out for better accessibility
 - Door lock
- One interior light

Refrigerators: J2SRR-21B | J4SRR-40B | J6SRR-61B | CFD-1R | CFD-2R | CFD-3R

Freezers: J2SFF-21B | J4SFF-40B | J6SFF-61B | CFD-1F | CFD-2F | CFD-3F

Dual Temps: J2SRF-20B | J4SRF-40B | J4SRF-40BQ | J6SRF-61B | J4SRF-40H (residential)

[Home](#) | [Catalog](#) | [News](#) | [Reps](#) | [About Us](#) | [Contact Us](#)

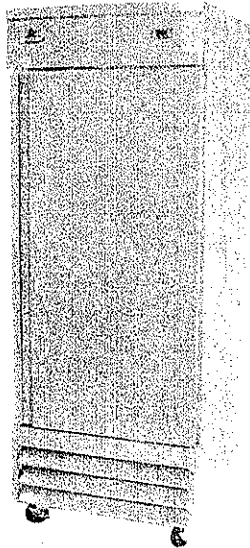
[Solid Door](#) | [Glass Door](#) | [Prep Table](#) | [Undercounter](#) | [Storage Freezer](#) | [Beer Equipment](#) | [Stainless Steel Equipment](#)

Copyright © 2005 Jimex Corporation, All rights reserved.



The New Symbol of Innovation

One Solid Full Door Refrigerator



CFD-1R 23 cu.ft., 1 section

Stainless steel interior & exterior standard!
Fully-recessed handles
Tray slide shelving system
Exterior digital temperature controls

STANDARD FEATURES:

- Capillary tube
- CFC-free R-134a Refrigerant
- 4 Epoxy-Coated Wire Shelves
- Snap-In Magnetic Door Gaskets
- Tray Slide Shelving System
- 5" Casters
- Foamed-in-place Polyurethane Insulation
- Fully Covered Interior Corners
- Interior Light
- Door Locks
- Bottom-Mount Compressor & Evaporator Coil
- Hot Gas Condensate Evaporator
- Exterior Digital Temperature Control
- Self-closing Door with Hold Open Feature
- Assembled in the USA

MATERIALS:

INTERIOR: 304 series stainless steel interior for durability and appearance.
Epoxy-coated wire shelves.

EXTERIOR: Stainless steel cabinet and door.



DIMENSIONAL DATA:

Model No.	L	D	H	Cu.Ft.	Shelves	H/P	Volt	Amp.	NEMA	Ship Wt.
CFD-1F	29.0	32.3	82.5	23	4	1/2	115/60/1	9.6	5-20P	380
CFD-2F	54.0	32.3	82.5	48	8	3/4	115/60/1	12.4	5-20P	560
CFD-3F	81.0	32.3	82.5	72	12	1	220/60/1	9.9	6-15P	760
CFD-1R	29.0	32.3	82.5	23	3	1/3	115/60/1	6.3	5-20P	360
CFD-2R	54.0	32.3	82.5	48	8	1/2	115/60/1	8.7	5-20P	540
CFD-3R	81.0	32.3	82.5	72	12	1/2	115/60/1	9.4	5-20P	730



Refrigeration Equipment Manufacturer

Solid Door Refrigerator

CFD-1R

Description: One solid full door refrigerator, 23 cu. ft

Features & Benefits

Stainless steel interior and exterior for greater durability, construction and appearance.

Self-contained bottom mounted refrigeration system and high humidity coated fin coil evaporator.

- Holds 30° F to 45° F as refrigerator

Automatic interior light.

*Exterior LED temperature display with digital controls. **Temperature setting is easy, fast and accurate.***

Micro-controller with adjustable temperature variance, automatic defrost intervals, setpoint limits, and parameter locking functions.

2.5" thick, foamed-in-place polyurethane high density insulation.

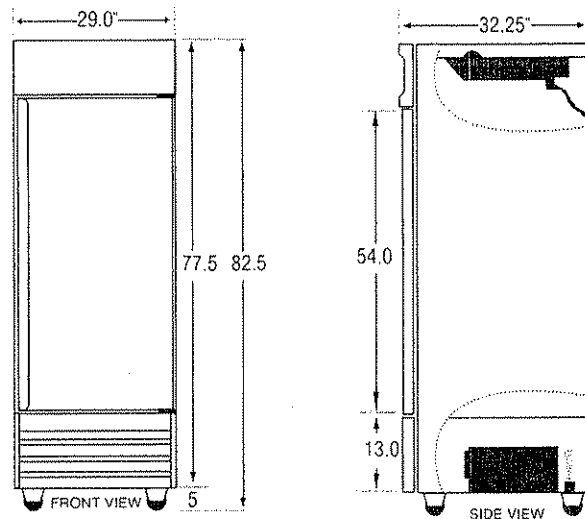
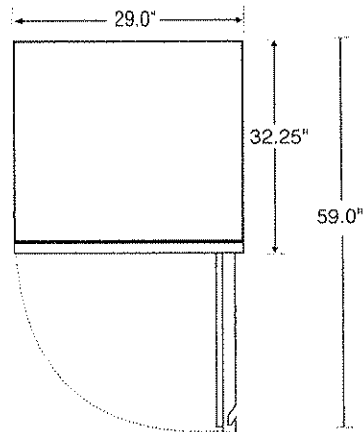
4 adjustable epoxy-coated steel wire shelves. Built-in tray slides to accommodate shelves (standard) or 18"x26" sheet pans (optional).

*5" casters standard. **Easy mobility and installation.***

Heavy-duty overall construction for high-volume, constant duty operation.

*Self-closing door with 90° hold open feature. **Door locks** standard.*

*Hot gas condensate evaporator - **no floor drain required!***



OPTIONS

- | | | |
|--------------------------|----------------------------|------------|
| <input type="checkbox"/> | Extra Interior Shelves | Qty. _____ |
| <input type="checkbox"/> | Extra Shelf Slide Brackets | Qty. _____ |
| <input type="checkbox"/> | Tray Slide Brackets | Qty. _____ |

General Information

Cubic Ft.: 23

Shelf Size: 25.5" x 21"

Doors: 1

Unit Weight: 330 lbs.

Exterior: Stainless

Ship Weight: 360 lbs.

Interior: Stainless

Technical Data

Refrigerant: R-134a

Volts: 115

Start Amps: 9.5

#Compressors: 1

Run Amps: 6.3

Cord Length: 75 in.

Horsepower: 1/3

SPECIFICATIONS SUBJECT TO CHANGE WITHOUT NOTICE

OFFICIAL WARRANTY CERTIFICATE

This warranty is subject to all of the terms and conditions listed below. Warranty card furnished with this unit must be properly executed and returned to Jimex Corp. immediately after installation.

JIMEX CORP. LIMITED WARRANTY

Jimex Corp. warrants to the original purchaser the ColdTech unit sold and all parts thereof to be free from defects in material or workmanship, under normal use and service for a period of one (1) year from the date of registration. If warranty registration card is not returned, including the proper installation date, warranty will be effect for one (1) year from the date of shipment of the unit from the Jimex distribution location.

Jimex's obligation under this warranty shall be limited to repairing or replacing FOB factory any of such product which proves thus defective and which our examination shall disclose to our satisfaction to be defective.

- a. Any part returned to Jimex under the terms of this warranty must be accompanied by a record of the cabinet model number, serial number, return authorization number, and such return shall be on the basis of transportation charges prepaid by customer.
- b. Improper operation due to low voltage condition, inadequate wiring, and accidents are not manufacturing defects and are strictly the responsibility of the purchaser.
- c. **CONDENSER COILS MUST BE CLEANED AT REGULAR INTERVALS.** Failure to do so can cause compressor malfunction and will void warranty. This contract does not apply outside the limits of the USA, nor does it apply to any part which has been subject of misuse, neglect, alteration, accident, or to any damage caused by transportation, flood, fire or the acts of God. The term "original purchaser" as used herein shall be deemed to mean that person, firm, association or corporation for whom the refrigeration unit referred to herein is originally installed.
- d. All repairs must be completed by an authorized ColdTech service agency, within a 50 mile radius, upon authorization from Jimex technical support department. Jimex is not liable for any and all repairs completed without the prior approval of Jimex technical support department. If warranty repair work needs to be completed outside the 50 mile radius from the nearest authorized service agency:
 - 1) Jimex will dispatch authorized service technician and ONLY pay for travel time within a 50 mile radius, 100 mile round trip. Extra travel time will be charged to the end-user.
 - 2) End-user may find service agency in their area. A copy of the invoice or receipt of work must be completed, and submitted within 90 days after completion of repair, in order to receive full refund under the terms and conditions of this warranty. Jimex will not be liable for any invoices submitted after 90 days from the date of completion of repair work.

ADDITIONAL FOUR YEAR COMPRESSOR WARRANTY

In addition to the warranty set forth above, Jimex Corp. warrants the hermetically-sealed compressor for an additional four (4) years, not to exceed sixty (60) months from date of shipment from Jimex distribution locations, provided, upon receipt of the compressor manufacturer examination shows the sealed compressor to be defective. This extended warranty does not apply to any electrical controls, accumulator, or wiring harness. Such items are covered by standard warranty.

NO CLAIMS CAN BE MADE AGAINST THIS WARRANTY FOR LOSS OF PRODUCT. NO CLAIMS CAN BE MADE AGAINST THIS WARRANTY FOR NOISE COMPLAINTS.

These warranties are in lieu of all other warranties, expressed or implied, and of all other obligations or liabilities on our part, and we neither assume nor authorize any other person to assume for us any other obligation or liability in connection with the sale of said refrigeration unit(s) or any part thereof. This warranty shall not be assignable and shall be honored only insofar as the original purchaser.

Warranty only valid in USA

Specifications subject to change without notice.

Jimex Corporation
1575 Zephyr Avenue
Hayward, CA 94544
(800) 314-4477 fax: (510) 477-3413
email: service@jimex-coldtech.com

WARRANTY REGISTRATION CARD

Name of Business:

City & State:

Dealer Name:

Date Installed:

Model No.:

Cabinet Serial No.: