

Corporate Offices
258 Mariah Circle, Corona, California 92879
Phone (951) 808-0081 • Fax (951) 808-0041
USA (800) 339-6165 • www.tolarfmg.com



Eastern Regional Office
7954 Transit Road, Suite 315
Williamsville, New York 14221
Phone (716) 688-4906 • Fax (716) 688-4908

August 29, 2006

Krista Ferrell
West Virginia Division of Public Transit
1900 Kanawha Blvd., East
Building 5, room 830
Charleston, WV 25305-0432

Our quote: 12799, Re: Request for Quotation PTR07004

Dear Ms. Ferrell:

In response to your call for quotation, we are pleased to submit the following for your consideration. We have endeavored to interpret and respond as closely as possible to your bid specifications and include submittals to enable a reasonable evaluation.

For this bid, we have proposed shelters from our "*Niagara*" series, featuring a modular fabrication concept that facilitates the wide range of shelter lengths and widths that are called for. In order to illustrate the basic construction features and installation procedures, we have provided two proposal drawing sets; 6306 for the Standard "B" variation, and 6305 for the Victorian "D" variation. We have also enclosed a set of typical installation instructions for a similar shelter to the one shown in drawing 6305 but with some minor variations and with perforated panels rather than the Lexan wall panels. Since all shelters are factory prefabricated to specific customer order in the size, style, configuration and materials to meet the exact requirements, it is normal practice to submit detailed shop drawings for approval drawn up in the final configuration(s) and materials upon an order and provide customized instructions for each model.

Please note that all Tolar shelters are designed and certified to meet or exceed all applicable wind, snow and seismic loads, comply with all applicable building codes and ADA requirements. In the event that engineered drawings might be required for building permit purposes, we can provide set of drawings and calculations for the particular model, sealed and certified by a WV licensed consulting engineer at our cost (approximately \$750 per set).

The Niagara Series general specifications are included as an enclosure in this proposal. Finish is premium, baked in polyester powder coat in the selected standard RAL color. (The wide range of industry standard RAL colors can be viewed at our website www.tolarfmg.com/ral.htm and actual samples would be submitted for final selection and approval prior to manufacturing.) All fasteners at key connection points and ground hardware are stainless steel. Specifically for this proposal, the roof panels would be 1/8" formed aluminum, powder coated on both sides and retained by gasketed pressure ribs or battens, ensuring an attractive and leak proof roof. In place of the standard 3/8" clear tempered safety glass, wall panels would be 1/4" mid-grade UV protected GE Lexan® XL, clear with bronze tint as specified, retained by the gasketed glazing channel in the underside of the roof perimeter, and the pressure fit snap glazing on vertical posts and horizontal mullions, providing fast, easy, secure installation, as well as elimination of exposed fasteners or rivets.



Options:

Perforated panels: Steel or Aluminum

The optional perforated 16 gauge steel or 3/16" perforated aluminum wall panels with 1/4" holes on a 3/8" stagger pattern are fully framed with an aluminum extrusion that provides complete interchangeability with Lexan or glass panels using the same retention components. This system also fully encloses the sheared edges of the perforated metal to eliminate any exposed, potentially jagged edges. While the steel perforated panels are approximately the same cost per square foot as the bronze tinted Lexan XL so are a no charge option, the aluminum is roughly 15% higher. We have shown the optional extra cost for the Standard "A" configuration.

Bench:

We are proposing either the 4' perforated metal bench with vagrant bar similar to the illustration "C" in our enclosed general catalog.

Solar Lighting System:

The solar lighting sets that we have included in our proposal are the TSSL-65, dusk to dawn, LED systems, with all batteries and controls and dual diffused high output LED illumination, fully automatic and requiring no field adjustment or settings. The TSSL system is covered by an extended warranty of 2 years for the entire system and 20 years for the solar collector. What this means to you is that these systems are completely maintenance free.

Solar Powered Transit Stop:

As an alternative to the manufacturer's model in the bid package, we offer the **SOL Omni Light** including the back lit schedule display, signaling light, and including the aluminum post.

(Prices are shown on the bid documents).

Notes:

1. Due to the wide range of shelter sizes and configurations, the cost of optional wall panels has been shown for the standard "A" variation only. There is no room on the bid documents for all the various sizes, but as you can appreciate, the cost per shelter for other wall panels would vary with the size and the total area of the panels required. We'll gladly quote options for other models if requested.
2. Concerning freight expenses (that are included in the unit prices as specified in your RFQ), there could be significant savings on a per unit basis for orders of multiple units placed at the same time and shipped together. Since we were instructed to quote on the basis of single units, and to assume that even in the case of multiple unit orders, they would be shipped to different destinations the extended prices are based on that premise and assuming the approximate cost to ship a single shelter with accessories to a location in the State of WV.
3. However for the purpose of a volume pricing incentive, we are prepared to offer a free shelter for each 25 units purchased, up to the value of the least expensive shelter and

Corporate Offices

258 Mariah Circle, Corona, California 92879
Phone (951) 808-0081 • Fax (951) 808-0041
USA (800) 339-6165 • www.tolarimg.com



Eastern Regional Office
7954 Transit Road, Suite 315
Williamsville, New York 14221
Phone (716) 688-4906 • Fax (716) 688-4908

accessory order release purchased. What this means to you, is that should a total of 15 shelters be purchased, during the contract term, and assuming that the least expensive shelter would be a Victorian "B" with solar lighting and bench, you would be entitled to a free shelter, solar light set and bench for a value of \$7195. At a total contract purchase of 100 shelters and similarly assuming the least expensive order was the same, Tolar would provide you with a total of 4 additional similarly equipped and configured shelters at no charge – a value of approximately, \$28,790. (The free shelter(s) would be due at the end of the contract term).

4. Other terms and conditions are as specified in your bid package. Enclosures include drawings, sales literature, installation instructions and certifications as requested.

Considering the wide range of shelter sizes and styles and the possible variations in configuration and options, any evaluation of bids will likely be quite complicated and there may very well be some need for further clarification or explanation. Please be assured that we would welcome the opportunity to meet with you to provide any additional information and answer any questions concerning our proposal.

We sincerely hope that this proposal will be favorably received and that we can look forward to the beginning of a long and mutually rewarding association.

Sincerely,

Richard Clements
Eastern Regional Manager
Tolar Manufacturing Company Inc.



Richard Clements
Sales Manager

Eastern Regional Office
7954 Transit Road, Suite 315
Williamsville, New York 14221
Phone (716) 688-4906
Fax (716) 688-4908
USA (800) 339-6165 ex. 240
email: rclements@tolarmfg.com

Main Office: 258 Mariah Circle, Corona, CA 92879 (800) 339-6165 www.tolarimg.com

"Quality Street Furniture Since 1991"

"Quality Street Furniture Since 1991"

**GENERAL TERMS & CONDITIONS
REQUEST FOR QUOTATION (RFQ) AND REQUEST FOR PROPOSAL (RFP)**

1. Awards will be made in the best interest of the State of West Virginia.
2. The State may accept or reject in part, or in whole, any bid.
3. All quotations are governed by the *West Virginia Code* and the *Legislative Rules* of the Purchasing Division.
4. Prior to any award, the apparent successful vendor must be properly registered with the Purchasing Division and have paid the required \$125.00 registration fee.
5. All services performed or goods delivered under State Purchase Orders/Contracts are to be continued for the term of the Purchase Order/Contract, contingent upon funds being appropriated by the Legislature or otherwise being made available. In the event funds are not appropriated or otherwise available for these services or goods, this Purchase Order/Contract becomes void and of no effect after June 30.
6. Payment may only be made after the delivery and acceptance of goods or services.
7. Interest may be paid for late payment in accordance with the *West Virginia Code*.
8. Vendor preference will be granted upon written request in accordance with the *West Virginia Code*.
9. The State of West Virginia is exempt from federal and state taxes and will not pay or reimburse such taxes.
10. The Director of Purchasing may cancel any Purchase Order/Contract upon 30 days written notice to the seller.
11. The laws of the State of West Virginia and the *Legislative Rules* of the Purchasing Division shall govern all rights and duties under the Contract, including without limitation the validity of this Purchase Order/Contract.
12. Any reference to automatic renewal is hereby deleted. The Contract may be renewed only upon mutual written agreement of the parties.
13. **BANKRUPTCY:** In the event the vendor/contractor files for bankruptcy protection, this contract is automatically null and void, and is terminated without further order.
14. **HIPAA Business Associate Addendum** - The West Virginia State Government HIPAA Business Associate Addendum (BAA), approved by the Attorney General, and available online at the Purchasing Division's web site (<http://www.state.wv.us/admin/purchase/vrc/hipaa.htm>) is hereby made part of the agreement. Provided that, the Agency meets the definition of a Covered Entity (45 CFR §160.103) and will be disclosing Protected Health Information (45 CFR §160.103) to the vendor.

INSTRUCTIONS TO BIDDERS

1. Use the quotation forms provided by the Purchasing Division.
2. **SPECIFICATIONS:** Items offered must be in compliance with the specifications. Any deviation from the specifications must be clearly indicated by the bidder. Alternates offered by the bidder as **EQUAL** to the specifications must be clearly defined. A bidder offering an alternate should attach complete specifications and literature to the bid. The Purchasing Division may waive minor deviations to specifications.
3. Complete all sections of the quotation form.
4. Unit prices shall prevail in cases of discrepancy.
5. All quotations are considered F.O.B. destination unless alternate shipping terms are clearly identified in the quotation.
6. **BID SUBMISSION:** All quotations must be delivered by the bidder to the office listed below prior to the date and time of the bid opening. Failure of the bidder to deliver the quotations on time will result in bid disqualifications.

SIGNED BID TO:

Department of Administration
Purchasing Division
2019 Washington Street East
Post Office Box 50130
Charleston, WV 25305-0130



State of West Virginia
 Department of Administration
 Purchasing Division
 2019 Washington Street East
 Post Office Box 50130
 Charleston, WV 25305-0130

Request for Quotation

RFQ NUMBER
PTR07004

PAGE
2

ADDRESS CORRESPONDENCE TO ATTENTION OF:
KRISTA FERRELL 304-558-2596

RFQ COPY
 TYPE NAME/ADDRESS HERE

RECEIVED

SHIP TO

DIVISION OF PUBLIC TRANSIT
 BUILDING 5, ROOM 830
 1900 KANAWHA BOULEVARD, EAST
 CHARLESTON, WV
 25305-0432 304-558-0428

DATE PRINTED	TERMS OF SALE	SHIP VIA	F.O.B.	FREIGHT TERMS
08/07/2006				

BID OPENING DATE: **08/31/2006** BID OPENING TIME **01:30PM**

LINE	QUANTITY	UOP	CAT NO.	ITEM NUMBER	UNIT PRICE	AMOUNT
<p>WRITTEN CONSENT OF THE SPENDING UNIT AND VENDOR, SUBMITTED TO THE DIRECTOR OF PURCHASING THIRTY (30) DAYS PRIOR TO THE EXPIRATION DATE. SUCH RENEWAL SHALL BE IN ACCORDANCE WITH THE TERMS AND CONDITIONS OF THE ORIGINAL CONTRACT AND SHALL BE LIMITED TO TWO (2) ONE (1) YEAR PERIODS.</p> <p>CANCELLATION: THE DIRECTOR OF PURCHASING RESERVES THE RIGHT TO CANCEL THIS CONTRACT IMMEDIATELY UPON WRITTEN NOTICE TO THE VENDOR IF THE COMMODITIES AND/OR SERVICES SUPPLIED ARE OF AN INFERIOR QUALITY OR DO NOT CONFORM TO THE SPECIFICATIONS OF THE BID AND CONTRACT HEREIN.</p> <p>OPEN MARKET CLAUSE: THE DIRECTOR OF PURCHASING MAY AUTHORIZE A SPENDING UNIT TO PURCHASE ON THE OPEN MARKET, WITHOUT THE FILING OF A REQUISITION OR COST ESTIMATE, ITEMS SPECIFIED ON THIS CONTRACT FOR IMMEDIATE DELIVERY IN EMERGENCIES DUE TO UNFORESEEN CAUSES (INCLUDING BUT NOT LIMITED TO DELAYS IN TRANSPORTATION OR AN UNANTICIPATED INCREASE IN THE VOLUME OF WORK.)</p> <p>QUANTITIES: QUANTITIES LISTED IN THE REQUISITION ARE APPROXIMATIONS ONLY, BASED ON ESTIMATES SUPPLIED BY THE STATE SPENDING UNIT. IT IS UNDERSTOOD AND AGREED THAT THE CONTRACT SHALL COVER THE QUANTITIES ACTUALLY ORDERED FOR DELIVERY DURING THE TERM OF THE CONTRACT, WHETHER MORE OR LESS THAN THE QUANTITIES SHOWN.</p> <p>BANKRUPTCY: IN THE EVENT THE VENDOR/CONTRACTOR FILES FOR BANKRUPTCY PROTECTION, THIS CONTRACT IS AUTOMATICALLY NULL AND VOID, AND IS TERMINATED WITHOUT FURTHER ORDER.</p> <p>THE TERMS AND CONDITIONS CONTAINED IN THIS CONTRACT</p>						

SIGNATURE <i>[Signature]</i>			SEE REVERSE SIDE FOR TERMS AND CONDITIONS		
TITLE <i>Eastern Reg Mgr</i>		FEIN <i>33-0534028</i>	TELEPHONE <i>716 688-4906</i>	DATE <i>08/16/06</i>	
ADDRESS CHANGES TO BE NOTED ABOVE					

WHEN RESPONDING TO RFQ, INSERT NAME AND ADDRESS IN SPACE ABOVE LABELED 'VENDOR'



State of West Virginia
 Department of Administration
 Purchasing Division
 2019 Washington Street East
 Post Office Box 50130
 Charleston, WV 25305-0130

Request for Quotation

RFQ NUMBER
PTR07004

PAGE
3

ADDRESS CORRESPONDENCE TO ATTENTION OF:
**KRISTA FERRELL
 304-558-2596**

VENDOR

RFQ COPY
 TYPE NAME/ADDRESS HERE

SHIP TO

DIVISION OF PUBLIC TRANSIT
 BUILDING 5, ROOM 830
 1900 KANAWHA BOULEVARD, EAST
 CHARLESTON, WV
 25305-0432 304-558-0428

DATE PRINTED 08/07/2006	TERMS OF SALE	SHIP VIA	F.O.B.	FREIGHT TERMS
-----------------------------------	---------------	----------	--------	---------------

BID OPENING DATE: **08/31/2006** BID OPENING TIME **01:30PM**

LINE	QUANTITY	UOP	CAT. NO.	ITEM NUMBER	UNIT PRICE	AMOUNT
	<p>SHALL SUPERSEDE ANY AND ALL SUBSEQUENT TERMS AND CONDITIONS WHICH MAY APPEAR ON ANY ATTACHED PRINTED DOCUMENTS SUCH AS PRICE LISTS, ORDER FORMS, SALES AGREEMENTS OR MAINTENANCE AGREEMENTS, INCLUDING ANY ELECTRONIC MEDIUM SUCH AS CD-ROM.</p> <p>REV. 04/11/2001</p> <p>EXHIBIT 6</p> <p>PRICE ADJUSTMENT PROVISION: THE STATE OF WEST VIRGINIA WILL CONSIDER BIDS THAT CONTAIN PROVISIONS FOR PRICE ADJUSTMENTS PRIOR TO THE ORIGINAL EXPIRATION OF THE CONTRACT, PROVIDED THAT SUCH PRICE ADJUSTMENT COVERS BOTH UPWARD AND DOWNWARD MOVEMENT OF THE COMMODITY PRICE, AND THAT ADJUSTMENT IS BASED ON THE "PASS THROUGH" INCREASE OR DECREASE OF RAW MATERIALS AND/OR LABOR, WHICH MAKE UP ALL OR A SUBSTANTIAL PART OF A PRODUCT. ADJUSTMENTS ARE TO BE BASED UPON AN ACTUAL DOLLAR FIGURE, NOT A PERCENTAGE. ALL PRICE ADJUSTMENT REQUESTS MUST BE SUBSTANTIATED IN A MANNER ACCEPTABLE TO THE DIRECTOR PURCHASING, E.G. GOVERNMENTAL BENCH MARKS, GENERAL MARKET INCREASE, PUBLISHED PRICE LISTS. SUCH REQUESTS FOR AND INCREASE SHOULD BE RECEIVED IN WRITING BY THE DIRECTOR OF PURCHASING AT LEAST 30 DAYS IN ADVANCE OF THE EFFECTIVE DATE OF THE INCREASE. ANY TIME THE VENDOR REQUESTS A PRICE ADJUSTMENT, THE PURCHASING DIVISION MAY EITHER ACCEPT THE PRICE ADJUSTMENT AND AMEND THE CONTRACT ACCORDINGLY OR REJECT THE ADJUSTMENT IN ITS ENTIRETY AND CANCEL THE CONTRACT.</p> <p>PREFERRED TERMS:</p>					

SEE REVERSE SIDE FOR TERMS AND CONDITIONS

SIGNATURE *[Signature]* TELEPHONE **716 688-4906** DATE **AUG 29/06**

TELE **WESTERN REC. MGR** FEIN **33-0534428** ADDRESS CHANGES TO BE NOTED ABOVE

WHEN RESPONDING TO RFQ, INSERT NAME AND ADDRESS IN SPACE ABOVE LABELED 'VENDOR'



State of West Virginia
 Department of Administration
 Purchasing Division
 2019 Washington Street East
 Post Office Box 50130
 Charleston, WV 25305-0130

Request for Quotation

RFQ NUMBER
PTR07004

PAGE
4

ADDRESS CORRESPONDENCE TO ATTENTION OF:
KRISTA FERRELL 304-558-2596

VENDOR

RFQ COPY
 TYPE NAME/ADDRESS HERE

SHIP TO

DIVISION OF PUBLIC TRANSIT
 BUILDING 5, ROOM 830
 1900 KANAWHA BOULEVARD, EAST
 CHARLESTON, WV
 25305-0432 304-558-0428

DATE PRINTED	TERMS OF SALE	SHIP VIA	F.O.B.	FREIGHT TERMS
08/07/2006				

BID OPENING DATE: 08/31/2006 BID OPENING TIME 01:30PM

LINE	QUANTITY	UOP	CAT. NO.	ITEM NUMBER	UNIT PRICE	AMOUNT
<p>IT IS PREFERRED THAT THE PRICES ON THIS CONTRACT ARE FIRM FOR LIFE OF THE CONTRACT, AS INDICATED IN THE LIFE OF CONTRACT CLAUSE CONTAINED HEREIN, NOT TO EXCEED ONE (1) YEAR. PRICE INCREASES WILL BE CONSIDERED AT THE TIME OF RENEWAL ONLY.</p> <p>THE MODEL/BRAND/SPECIFICATIONS NAMED HEREIN ESTABLISH THE ACCEPTABLE LEVEL OF QUALITY ONLY AND ARE NOT INTENDED TO REFLECT A PREFERENCE OR FAVOR ANY PARTICULAR BRAND OR VENDOR. VENDORS WHO ARE BIDDING ALTERNATES SHOULD SO STATE AND INCLUDE PERTINENT LITERATURE AND SPECIFICATIONS. FAILURE TO PROVIDE INFORMATION FOR ANY ALTERNATES MAY BE GROUNDS FOR REJECTION OF THE BID. THE STATE RESERVES THE RIGHT TO WAIVE MINOR IRREGULARITIES IN BIDS OR SPECIFICATIONS IN ACCORDANCE WITH SECTION 148-1-4(F) OF THE WEST VIRGINIA LEGISLATIVE RULES AND REGULATIONS.</p> <p>VENDOR PREFERENCE CERTIFICATE</p> <p>CERTIFICATION AND APPLICATION* IS HEREBY MADE FOR PREFERENCE IN ACCORDANCE WITH WEST VIRGINIA CODE, 5A-3-37 (DOES NOT APPLY TO CONSTRUCTION CONTRACTS).</p> <p>A. APPLICATION IS MADE FOR 2.5% PREFERENCE FOR THE REASON CHECKED:</p> <p>() BIDDER IS AN INDIVIDUAL RESIDENT VENDOR AND HAS RESIDED CONTINUOUSLY IN WEST VIRGINIA FOR FOUR (4) YEARS IMMEDIATELY PRECEDING THE DATE OF THIS CERTIFICATION; OR</p> <p>() BIDDER IS A PARTNERSHIP, ASSOCIATION OR CORPORATION RESIDENT VENDOR AND HAS MAINTAINED ITS HEAD-</p>						

SEE REVERSE SIDE FOR TERMS AND CONDITIONS

SIGNATURE <i>R. Clemente</i>	TELEPHONE 716 688-4906	DATE Aug 29/06
TITLE EASTERN REG. MGR	FEIN 33-0530428	ADDRESS CHANGES TO BE NOTED ABOVE

WHEN RESPONDING TO RFQ, INSERT NAME AND ADDRESS IN SPACE ABOVE LABELED 'VENDOR'



State of West Virginia
 Department of Administration
 Purchasing Division
 2019 Washington Street East
 Post Office Box 50130
 Charleston, WV 25305-0130

Request for Quotation

RFQ NUMBER
PTR07004

PAGE
5

ADDRESS CORRESPONDENCE TO ATTENTION OF:
KRISTA FERRELL 304-558-2596

RFQ COPY

TYPE NAME/ADDRESS HERE

VENDOR

SHIP TO

DIVISION OF PUBLIC TRANSIT

 BUILDING 5, ROOM 830
 1900 KANAWHA BOULEVARD, EAST
 CHARLESTON, WV
 25305-0432 304-558-0428

DATE PRINTED	TERMS OF SALE	SHIP VIA	F.O.B.	FREIGHT TERMS
08/07/2006				

BID OPENING DATE: 08/31/2006 BID OPENING TIME 01:30PM

LINE	QUANTITY	UOP	CAT. NO.	ITEM NUMBER	UNIT PRICE	AMOUNT
<p>QUARTERS OR PRINCIPAL PLACE OF BUSINESS CONTINUOUSLY IN WEST VIRGINIA FOR FOUR (4) YEARS IMMEDIATELY PRECEDING THE DATE OF THIS CERTIFICATION; OR 80% OF THE OWNERSHIP INTEREST OF BIDDER IS HELD BY ANOTHER INDIVIDUAL, PARTNERSHIP, ASSOCIATION OR CORPORATION RESIDENT VENDOR WHO HAS MAINTAINED ITS HEADQUARTERS OR PRINCIPAL PLACE OF BUSINESS CONTINUOUSLY IN WEST VIRGINIA FOR FOUR (4) YEARS IMMEDIATELY PRECEDING THE DATE OF THIS CERTIFICATION; OR</p> <p>() BIDDER IS A CORPORATION NONRESIDENT VENDOR WHICH HAS AN AFFILIATE OR SUBSIDIARY WHICH EMPLOYS A MINIMUM OF ONE HUNDRED STATE RESIDENTS AND WHICH HAS MAINTAINED ITS HEADQUARTERS OR PRINCIPAL PLACE OF BUSINESS WITHIN WEST VIRGINIA CONTINUOUSLY FOR THE FOUR (4) YEARS IMMEDIATELY PRECEDING THE DATE OF THIS CERTIFICATION.</p> <p>B. APPLICATION IS MADE FOR 2.5% PREFERENCE FOR THE REASON CHECKED:</p> <p>() BIDDER IS A RESIDENT VENDOR WHO CERTIFIES THAT, DURING THE LIFE OF THE CONTRACT, ON AVERAGE AT LEAST 75% OF THE EMPLOYEES WORKING ON THE PROJECT BEING BID ARE RESIDENTS OF WEST VIRGINIA WHO HAVE RESIDED IN THE STATE CONTINUOUSLY FOR THE TWO YEARS IMMEDIATELY PRECEDING SUBMISSION OF THIS BID;</p> <p>OR</p> <p>() BIDDER IS A NONRESIDENT VENDOR EMPLOYING A MINIMUM OF ONE HUNDRED STATE RESIDENTS OR IS A NONRESIDENT VENDOR WITH AN AFFILIATE OR SUBSIDIARY WHICH MAINTAINS ITS HEADQUARTERS OR PRINCIPAL PLACE OF BUSINESS WITHIN WEST VIRGINIA EMPLOYING A MINIMUM OF ONE HUNDRED STATE RESIDENTS WHO CERTIFIES THAT, DURING THE LIFE OF THE CONTRACT, ON AVERAGE AT LEAST 75% OF THE EMPLOYEES OR BIDDERS' AFFILIATE'S OR</p>						

SEE REVERSE SIDE FOR TERMS AND CONDITIONS

SIGNATURE	TELEPHONE	DATE
<i>Allements</i>	716 688-4906	08/29/06

FILE	FEIN	ADDRESS CHANGES TO BE NOTED ABOVE
1299702N Rev. m.b.c	33-0534028	

WHEN RESPONDING TO RFQ, INSERT NAME AND ADDRESS IN SPACE ABOVE LABELED 'VENDOR'



State of West Virginia
 Department of Administration
 Purchasing Division
 2019 Washington Street East
 Post Office Box 50130
 Charleston, WV 25305-0130

Request for Quotation

RFQ NUMBER
PTR07004

PAGE
6

ADDRESS CORRESPONDENCE TO ATTENTION OF:
**KRISTA FERRELL
 304-558-2596**

RFQ COPY
 TYPE NAME/ADDRESS HERE

VENDOR

SHIP TO

DIVISION OF PUBLIC TRANSIT
 BUILDING 5, ROOM 830
 1900 KANAWHA BOULEVARD, EAST
 CHARLESTON, WV
 25305-0432 304-558-0428

DATE PRINTED 08/07/2006	TERMS OF SALE	SHIP VIA	F.O.B.	FREIGHT TERMS
-----------------------------------	---------------	----------	--------	---------------

BID OPENING DATE: **08/31/2006** BID OPENING TIME **01:30PM**

LINE	QUANTITY	UOP	CAT. NO.	ITEM NUMBER	UNIT PRICE	AMOUNT
<p>SUBSIDIARY'S EMPLOYEES ARE RESIDENTS OF WEST VIRGINIA WHO HAVE RESIDED IN THE STATE CONTINUOUSLY FOR THE TWO YEARS IMMEDIATELY PRECEDING SUBMISSION OF THIS BID.</p> <p>BIDDER UNDERSTANDS IF THE SECRETARY OF TAX & REVENUE DETERMINES THAT A BIDDER RECEIVING PREFERENCE HAS FAILED TO CONTINUE TO MEET THE REQUIREMENTS FOR SUCH PREFERENCE, THE SECRETARY MAY ORDER THE DIRECTOR OF PURCHASING TO: (A) RESCIND THE CONTRACT OR PURCHASE ORDER ISSUED; OR (B) ASSESS A PENALTY AGAINST SUCH BIDDER IN AN AMOUNT NOT TO EXCEED 5% OF THE BID AMOUNT AND THAT SUCH PENALTY WILL BE PAID TO THE CONTRACTING AGENCY OR DEDUCTED FROM ANY UNPAID BALANCE ON THE CONTRACT OR PURCHASE ORDER.</p> <p>BY SUBMISSION OF THIS CERTIFICATE, BIDDER AGREES TO DISCLOSE ANY REASONABLY REQUESTED INFORMATION TO THE PURCHASING DIVISION AND AUTHORIZES THE DEPARTMENT OF TAX AND REVENUE TO DISCLOSE TO THE DIRECTOR OF PURCHASING APPROPRIATE INFORMATION VERIFYING THAT BIDDER HAS PAID THE REQUIRED BUSINESS TAXES, PROVIDED THAT SUCH INFORMATION DOES NOT CONTAIN THE AMOUNTS OF TAXES PAID NOR ANY OTHER INFORMATION DEEMED BY THE TAX COMMISSIONER TO BE CONFIDENTIAL.</p> <p>UNDER PENALTY OF LAW FOR FALSE SWEARING (WEST VIRGINIA CODE 61-5-3), BIDDER HEREBY CERTIFIES THAT THIS CERTIFICATE IS TRUE AND ACCURATE IN ALL RESPECTS; AND THAT IF A CONTRACT IS ISSUED TO BIDDER AND IF ANYTHING CONTAINED WITHIN THIS CERTIFICATE CHANGES DURING THE TERM OF THE CONTRACT, BIDDER WILL NOTIFY THE PURCHASING DIVISION IN WRITING IMMEDIATELY.</p> <p>BIDDER: <u>TOLAR MANUFACTURING CO. INC.</u></p>						

SEE REVERSE SIDE FOR TERMS AND CONDITIONS			
SIGNATURE <i>[Signature]</i>	TELEPHONE 716-688-4906	DATE AUG 29/06	
TITLE EASTERN REG. MGR	FEIN 33-0534028	ADDRESS CHANGES TO BE NOTED ABOVE	

WHEN RESPONDING TO RFQ, INSERT NAME AND ADDRESS IN SPACE ABOVE LABELED 'VENDOR'



State of West Virginia
 Department of Administration
 Purchasing Division
 2019 Washington Street East
 Post Office Box 50130
 Charleston, WV 25305-0130

Request for Quotation

RFQ NUMBER
PTR07004

PAGE
8

ADDRESS CORRESPONDENCE TO ATTENTION OF:
**KRISTA FERRELL
 304-558-2596**

RFQ COPY
 TYPE NAME/ADDRESS HERE

VENDOR

SHIP TO

DIVISION OF PUBLIC TRANSIT
 BUILDING 5, ROOM 830
 1900 KANAWHA BOULEVARD, EAST
 CHARLESTON, WV
 25305-0432 304-558-0428

DATE PRINTED: 08/07/2006	TERMS OF SALE	SHIP VIA	F.O.B.	FREIGHT TERMS
------------------------------------	---------------	----------	--------	---------------

BID OPENING DATE: **08/31/2006** BID OPENING TIME **01:30PM**

LINE	QUANTITY	UOP	CAT. NO.	ITEM NUMBER	UNIT PRICE	AMOUNT
RFQ. NO.:				PTR07004		
BID OPENING DATE:				08/31/2006		
BID OPENING TIME:				1:30 PM		
PLEASE PROVIDE A FAX NUMBER IN CASE IT IS NECESSARY TO CONTACT YOU REGARDING YOUR BID: <i>716-688-4908</i>						
CONTACT PERSON (PLEASE PRINT CLEARLY): <i>RICHARD CLEMENTS</i>						
***** THIS IS THE END OF RFQ PTR07004 ***** TOTAL:						<i>AS ATTACHED</i>

SEE REVERSE SIDE FOR TERMS AND CONDITIONS

SIGNATURE <i>R. Clements</i>	TELEPHONE <i>716 688-4906</i>	DATE <i>AUG 29/06</i>
TITLE <i>RASIBZN Reg. Mgr.</i>	FEIN <i>33-0534028</i>	ADDRESS CHANGES TO BE NOTED ABOVE

WHEN RESPONDING TO RFQ, INSERT NAME AND ADDRESS IN SPACE ABOVE LABELED 'VENDOR'

PRICE SHEET
 For
 PTR07004

BUS SHELTER SIZES

1. STANDARD SHELTERS

		Estimated number of units	Extended Price
A: Size 3 x 9	<u>4320.</u> each	100	\$ <u>432000</u>
B: Size 3 x 12	<u>4970</u> each	100	\$ <u>497000</u>
C: Size 5 x 7	<u>4980</u> each	100	\$ <u>498000</u>
D: Size 5 x 9	<u>5020</u> each	100	\$ <u>502000</u>
E: Size 5 x 10	<u>5100</u> each	100	\$ <u>510000</u>
F: Size 5 x 12	<u>5296</u> each	100	\$ <u>529600</u>

2. VICTORIAN STYLE SHELTERS

A: Size 3 x 9	<u>4600</u> each	100	\$ <u>460000</u>
B: Size 3 x 12	<u>5090.</u> each	100	\$ <u>509000</u>
C: Size 5 x 7	<u>5110</u> each	100	\$ <u>511000</u>
D: Size 5 x 9	<u>5190</u> each	100	\$ <u>519000</u>
E: Size 5 x 10	<u>5230</u> each	100	\$ <u>523000</u>
F: Size 5 x 12	<u>5650</u> each	100	\$ <u>565000</u>

TOTAL FOR BID EVALUATION:

\$ 6,055,700

Note: Unit pricing above must be firm and will be used for when awarding the contract for these items.

OPTION SHEET
 For
 PTR07004

OPTIONS	Estimated number of units	Extended Price
OPTION 1: PERFORATED STEEL SIDE PANELS <i>IN PLACE OF BRONZE XL LEXAN.</i>	100	\$ <u>0</u>
OPTION 2: ALUMINUM SIDE PANELS <i>IN PLACE OF BRONZE XL LEXAN SYD SHELTER "A"</i>	100	\$ <u>18000</u>
OPTION 3: SHELTER BENCH WITH ANTI-VAGRANT BARS	100	\$ <u>32500</u>
OPTION 4: SOLAR LIGHTING SYSTEM	100	\$ <u>178000</u>
OPTION 5: SOLAR POWERED TRANSIT STOP	100	\$ <u>144000</u>
TOTAL FOR BID EVALUATION:		\$ <u>372500</u>

Note: Unit pricing above must be firm and will be used for when awarding the contract for these items.

BID FORM 1

BUY AMERICA CERTIFICATION

Bidder or offerer to complete correct certification.

Certificate of Compliance with Section 165(a)

The bidder or offerer hereby certifies that it will comply with the requirements of section 165(a) of the Surface Transportation Act of 1982, as amended, and the applicable regulations in 49 CFR part 661.

AUG. 29 2006
Date

R. Clements
Authorized Signature

TOLAR MANUFACTURING CO. INC
Company Name

RICHARD CLEMENTS
Name

EASTERN REGIONAL MANAGER
Title

Certificate for Non-Compliance with Section 165(a)

The bidder or offerer hereby certifies that it cannot comply with the requirements of section 165(a) of the Surface Transportation Assistance Act of 1982, as amended, but it may qualify for an exception to the requirement pursuant to section 165(b)(2) or (b)(4) of the Surface Transportation Act of 1982, as amended, and the regulations in 49 CFR 661.7.

Date

Authorized Signature

Company Name

Name

Title

BID FORM 2

VENDOR'S CERTIFICATION OF UNDERSTANDING AND ACCEPTANCE

The Contractor hereby certifies that all Technical Specifications and Contract Terms and Conditions have been carefully reviewed, are fully understood and shall be adhered to in performance and completion of any contract resulting from this bid.

AUG. 29, 2006
Date

[Signature]
Authorized Signature

EASTERN REGIONAL MANAGER
Title

TOWAR MANUFACTURING CO. INC.
Company Name

SPECIFICATION COMPLIANCE

NOTE: Please check if what is offered is in exact compliance with specifications. Any discrepancies must be addressed. Exact dimensions and/or descriptions must be provided. This information should be submitted via attachment.

- Bid proposal submitted meets and/or exceeds all specification requirements.
- Bid proposal submitted contains deviations from specification requirements. Detailed descriptions of these deviations have been provided with this bid proposal.

Spending Unit: Division of Public Transit
Department of Transportation

BID FORM 3

CERTIFICATION OF RESTRICTIONS ON LOBBYING

The undersigned (Vendor, Contractor) certifies, to the best of his or her knowledge and belief, that:

1. No Federal appropriated funds have been paid or will be paid, by or on behalf of the undersigned, to any person for influencing or attempting to influence an officer or employee of an agency, a Member of Congress, an officer or employee of Congress, or an employee of a Member of Congress in connection with the awarding of any Federal contract, the making of any Federal grant, the making of any Federal loan, the entering into of any cooperative agreement, and the extension, continuation, renewal, amendment, or modification of any Federal contract, grant, loan, or cooperative agreement.
2. If any funds other than Federal appropriated funds have been paid or will be paid to any person for making lobbying contacts to an officer or employee of any agency, a Member of Congress, an officer or employee of Congress, or an employee of a Member of Congress in connection with this Federal contract, grant, loan, or cooperative agreement, the undersigned shall complete and submit Standard Form-LLL, "Disclosure Form to Report Lobbying," in accordance with its instructions. [as amended by "Government Wide Guidance for New Restrictions on Lobbying," 61 Fed. Reg. 1413 (1/19/96). Note: Language in paragraph (2) herein has been modified in accordance with Section 10 of the Lobbying Disclosure Act of 1995 (P.L. 104-65, to be codified at 2 U.S.C. 1601, et seq.)]
3. The undersigned shall require that the language of this certification be included in the award documents for all subawards at all tiers (including subcontracts, subgrants, and contracts under grants, loans, and cooperative agreements) and that all subrecipients shall certify and disclose accordingly.

This certification is a material representation of fact upon which reliance was placed when this transaction was made or entered into. Submission of this certification is a prerequisite for making or entering into this transaction imposed by 31 U.S.C. § 1352 (as amended by the Lobbying Disclosure Act of 1995). Any person who fails to file the required certification shall be subject to a civil penalty of not less than \$10,000 and not more than \$100,000 for each such failure. [Note: Pursuant to 31 U.S.C. § 1352(c)(1)-(2)(A), any person who makes a prohibited expenditure or fails to file or amend a required certification or disclosure form shall be subject to a civil penalty of not less than \$10,000 and not more than \$100,000 for each such expenditure or failure.]

The Vendor, TOLAC MANUFACTURING CO. INC., certifies or affirms the truthfulness and accuracy of each statement of its certification and disclosure, if any. In addition, the Vendor understands and agrees that the provisions of 31 U.S.C. § 3801, et seq., apply to this certification and disclosure, if any.

AUG 29 / 06
Date

[Signature]
Authorized Signature

EASTON Reg. MGR.
Title

A F F I D A V I T024**West Virginia Code §5A-3-10a states:**

No contract or renewal of any contract may be awarded by the state or any of its political subdivisions to any vendor or prospective vendor when the vendor or prospective vendor or a related party to the vendor or prospective vendor is a debtor and the debt owned is an amount greater than one thousand dollars in the aggregate.

DEFINITIONS:

"Debt" means any assessment, premium, penalty, fine, tax or other amount of money owed to the state or any of its political subdivisions because of a judgment, fine, permit violation, license assessment, defaulted workers' compensation premium, penalty or other assessment presently delinquent or due and required to be paid to the state or any of its political subdivisions, including any interest or additional penalties accrued thereon.

"Debtor" means any individual, corporation, partnership, association, limited liability company or any other form or business association owing a debt to the state or any of its political subdivisions.

"Political subdivision" means any county commission; municipality; county board of education; any instrumentality established by a county or municipality; any separate corporation or instrumentality established by one or more counties or municipalities, as permitted by law; or any public body charged by law with the performance of a government function or whose jurisdiction is coextensive with one or more counties or municipalities.

"Related party" means a party, whether an individual, corporation, partnership, association, limited liability company or any other form or business association or other entity whatsoever, related to any vendor by blood, marriage, ownership or contract through which the party has a relationship of ownership or other interest with the vendor so that the party will actually or by effect receive or control a portion of the benefit, profit or other consideration from performance of a vendor contract with the party receiving an amount that meets or exceeds five percent of the total contract amount.

EXCEPTION:

The prohibition of this section does not apply where a vendor has contested any tax administered pursuant to chapter eleven of this code, workers' compensation premium, permit fee or environmental fee or assessment and the matter has not become final or where the vendor has entered into a payment plan or agreement and the vendor is not in default of any of the provisions of such plan or agreement.

LICENSING:


The vendor must be licensed in accordance with any and all state requirements to do business with the state of West Virginia.

CONFIDENTIALITY:

The vendor agrees that he or she will not disclose to anyone, directly or indirectly, any such personally identifiable information or other confidential information gained from the agency, unless the individual who is the subject of the information consents to the disclosure in writing or the disclosure is made pursuant to the agency's policies, procedures and rules. Vendors should visit www.state.wv.us/admin/purchase/privacy for the Notice of Agency Confidentiality Policies.

Under penalty of law for false swearing (West Virginia Code, §61-5-3), it is hereby certified that the vendor acknowledges the information in this said affidavit and are in compliance with the requirements as stated.

Vendor's Name: TOLAR MANUFACTURING Co. INC.

Authorized Signature: 

Date: AUG 29, 2006



State of West Virginia
 Department of Administration
 Purchasing Division
 2019 Washington Street East
 Post Office Box 50130
 Charleston, WV 25305-0130

Request for Quotation

RFQ NUMBER
PTR07004

PAGE
1

ADDRESS CORRESPONDENCE TO ATTENTION OF
**KRISTA FERRELL
 304-558-2596**

VENDOR

RFQ COPY
 TYPE NAME/ADDRESS HERE

SHIP TO

**DIVISION OF PUBLIC TRANSIT
 BUILDING 5, ROOM 830
 1900 KANAWHA BOULEVARD, EAST
 CHARLESTON, WV
 25305-0432 304-558-0428**

DATE PRINTED	TERMS OF SALE	SHIP VIA	F.O.B.	FREIGHT TERMS
08/23/2006				

BID OPENING DATE: **08/31/2006** BID OPENING TIME **01:30PM**

LINE	QUANTITY	UOP	CAT NO	ITEM NUMBER	UNIT PRICE	AMOUNT
ADDENDUM NO. 1						
THIS ADDENDUM IS ISSUED TO ANSWER QUESTIONS TO THE SPECIFICATIONS PER THE ATTACHED.						
***** END ADDENDUM NO. 1 *****						
0001	1	EA		155-12		
PRE-ENGINEERED BUS SHELTERS AND SOLAR LIGHTING						

SEE REVERSE SIDE FOR TERMS AND CONDITIONS

SIGNATURE <i>[Signature]</i>	TOLAN MFG-Co:INC	TELEPHONE 710 688-4906	DATE Aug 29 2006
TITLE EASTERN Reg MGR	FERN 33-0524028	ADDRESS CHANGES TO BE NOTED ABOVE	

WHEN RESPONDING TO RFQ, INSERT NAME AND ADDRESS IN SPACE ABOVE LABELED 'VENDOR'

Corporate Offices
258 Mariah Circle, Corona, California 92879
Phone (951) 808-0081 • Fax (951) 808-0041
USA (800) 359-6165 • www.tolarimg.com



Eastern Regional Office
7954 Transit Road, Suite 315
Williamsville, New York 14221
Phone (716) 688-4908 • Fax (716) 688-4908

TOLAR'S NEW NIAGARA SERIES WITH THE FEATURES STREET LEVEL AD COMPANIES & TRANSIT AUTHORITIES DEMAND:



Niagara Series Ad Shelters:

- Clean, open appearance,
- Great visibility
- Easy to clean,

- Low maintenance.
- Few parts make for quick installations
- Attractive appearance that blends with any environment.
- Exceptional weather protection

Niagara Series Non-Ad



- Wide range of matched accessories,
- Variety of special glass treatments & selection of alternate wall panels
- Adaptable to any size and configuration.



- Wide range of style options.
- May be shipped in kit form to be easily site assembled to reduce freight costs.



All TOLAR shelters & street furniture are *Made in USA*



New! TOLAR “Niagara” series shelters

- **Modular, Functional, and Adaptable to any size or configuration**
- **Ad and Non-Ad versions.**
- ***Made in USA to fully meet many existing technical specifications***

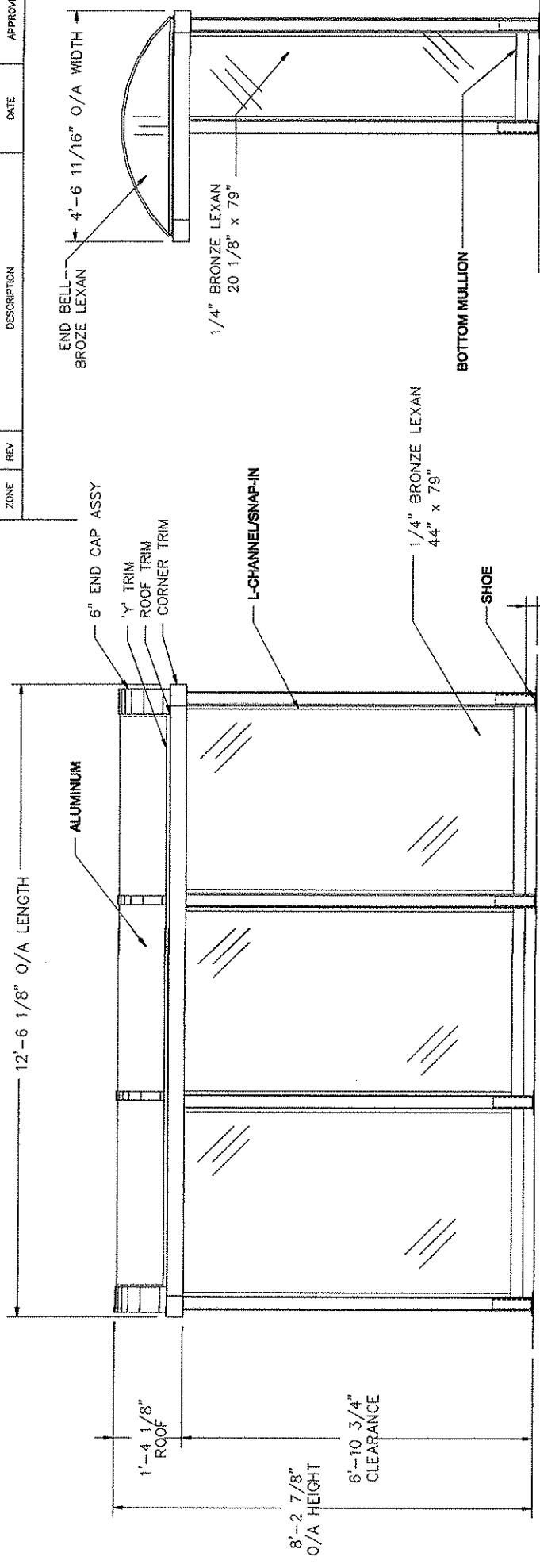
Features:

- Modular design & fabrication
- Aluminum Extrusion framework finished in premium powder coat
- Niagara Extrusion Series features custom designed for function
- 3 way keyed roof corners, sleeved into roof perimeter extrusions & 4” deep sockets for support posts.
- Gasketed glazing channel in underside of roof perimeter
- Pressure fit glazing on vertical posts
- Easily customized to suit style needs
- Fully meets existing specifications of many existing shelters
- Built in USA and backed by Tolar Manufacturing
- Available with or without ad display

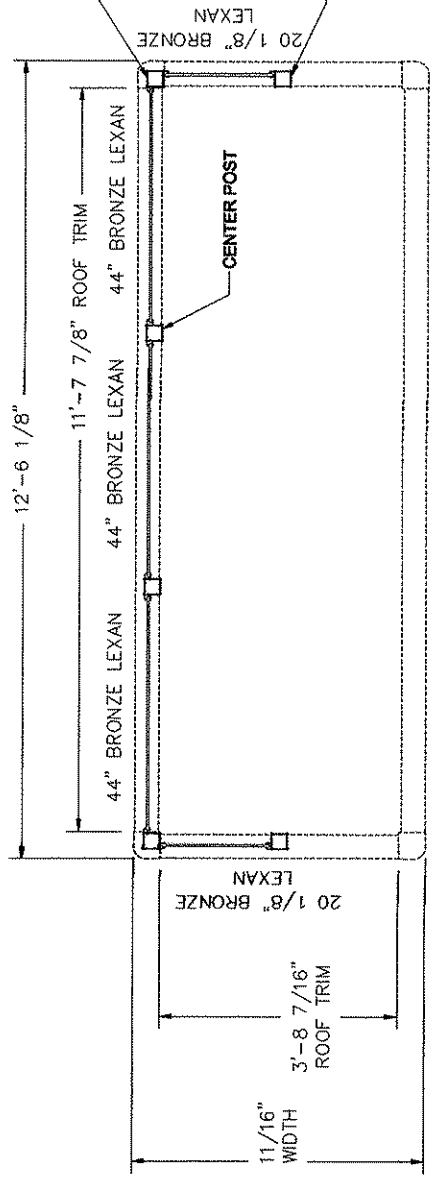
Benefits

- Adaptable to any size, style & configuration
- Practical for wider or larger shelters.
- Can be shipped either knock down or in “Kit” form for quick assembly at destination to reduce freight costs.
- Highly resistant to corrosion from road salt or salt spray.
- Highly resistant to vandalism
- Low maintenance and long life
- Few parts for easy installation
- Simple maintenance
- Maximum structural stability,
- Eliminates mitered joints
- Simple and quick field assembly and installation.
- Simple, quick glass or panel installation without additional parts
- Clean appearance
- Superior weather protection
- Ideal for Northern locations or high rainfall conditions
- Optional perforated panels, fully interchangeable with glass for an easy retrofit.
- Fast, easy glass or wall panel installation
- Eliminates exposed fasteners
- Clean, appearance
- Blends with architecture
- Wide range of amenities
- Alternative supply for parts
- Reduce maintenance cost and complication
- Reliable delivery and service
- Compliance with “Buy America”
- Suited for any application

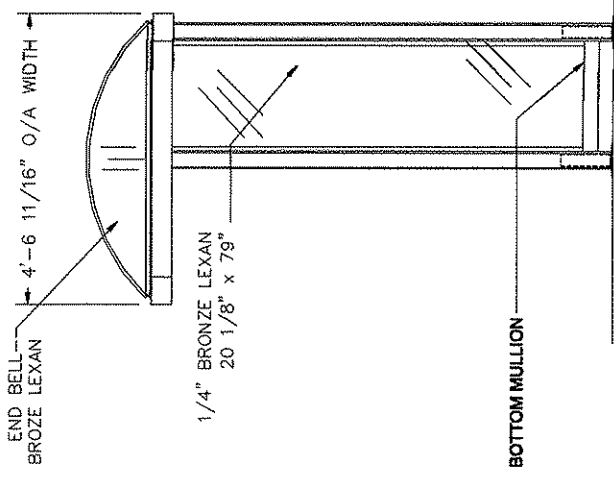
REVISIONS		DATE	APPROVED
ZONE	REV	DESCRIPTION	



FRONT ELEVATION



TOP VIEW BELOW ROOF



SIDE ELEVATION

Tolar Manufacturing Company, Inc
 258 Mariah Circle, Corona, CA 92879

DESCRIPTION
 ELEVATION DWG, 12' NON AD LOW DOME

CUSTOMER/VENDOR
 West Virginia

SIZE
 B

MATL.

DWG NO.
 6306

REV

SCALE
 1/24

DATE
 08/28/06

DRAWN BY:
 JLG

REVISIONS

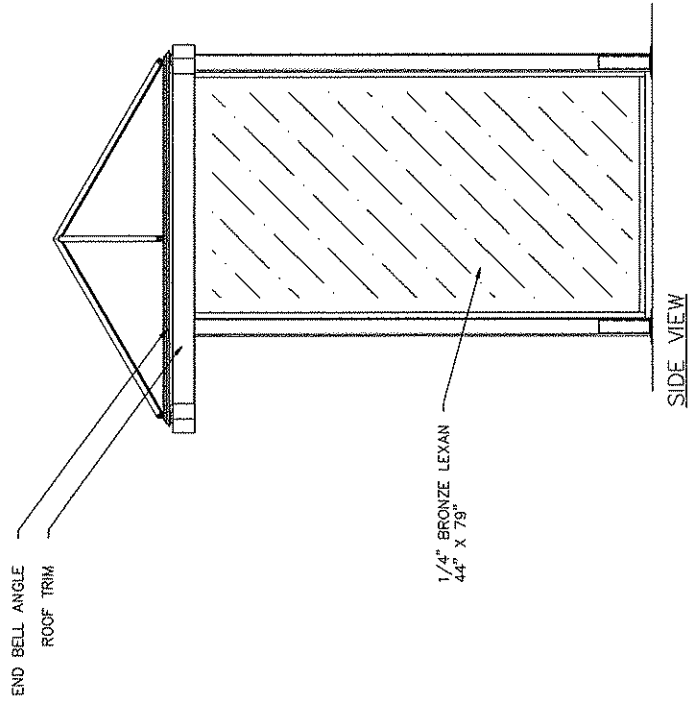
APPROVED

DATE

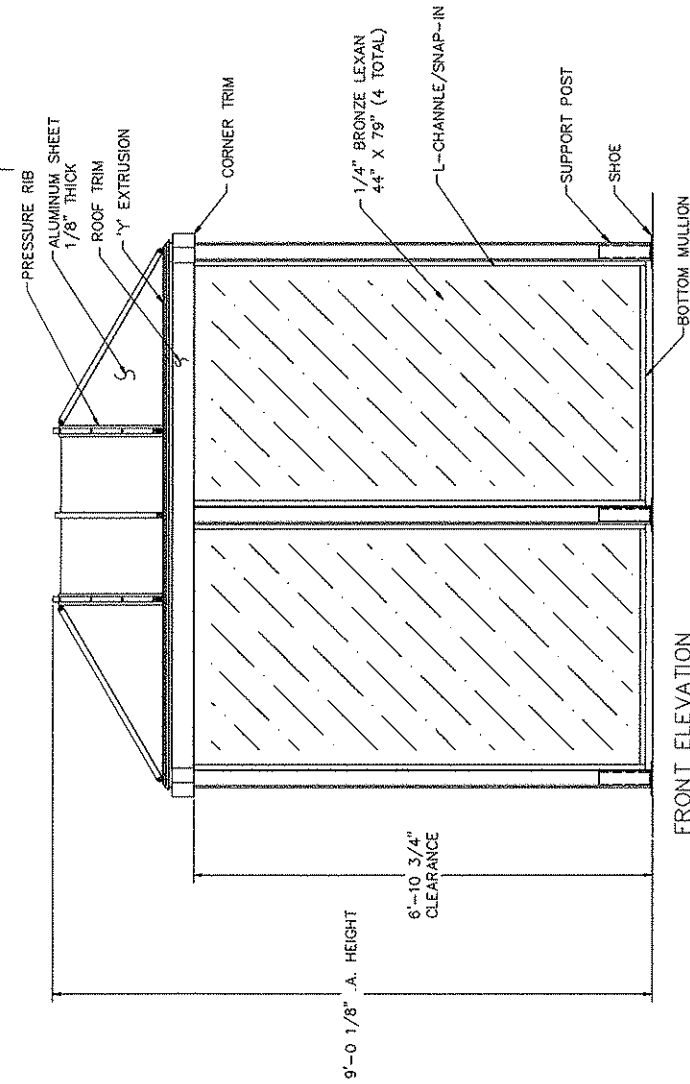
DESCRIPTION

REV

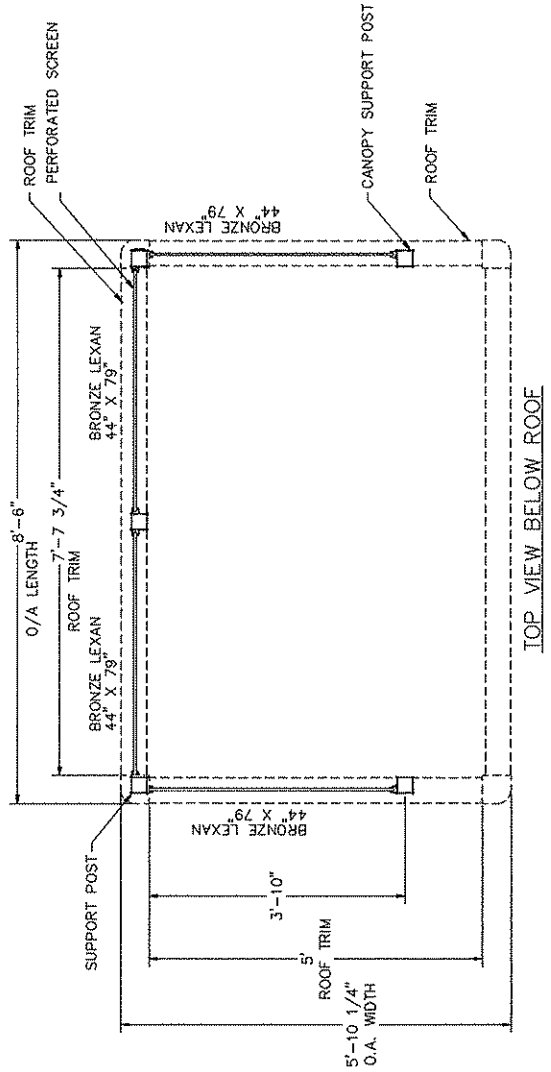
ZONE



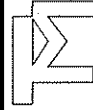
SIDE VIEW



FRONT ELEVATION



TOP VIEW BELOW ROOF



Tolar Manufacturing Company, Inc
258 Mariah Circle, Corona, CA 92879

DESCRIPTION

Elev. Dwg., 9' Victorian "D"

CUSTOMER/VENDOR

West Virginia

SIZE MATL.

A

DWG NO.

6305

REV

SCALE 1/36

DATE 08/28/06

DRAWN BY: JLG

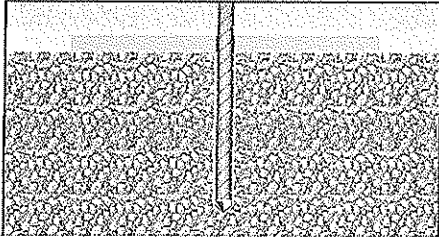
TOLAR MANUFACTURING COMPANY INC
258 MARIAH CIRCLE
CORONA, CA 92879

INSTALLATION
INSTRUCTIONS
FOR

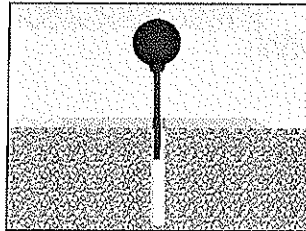
9' Long NON-AD BUS STOP SHELTER,
BENCH, & TRASH CAN

ANCHORING INSTRUCTIONS AND SPECIFICATION TABLE

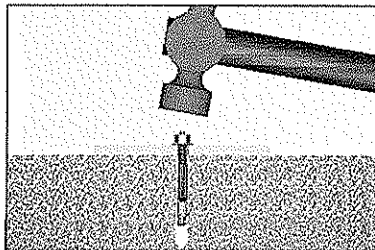
Anchors Provided:			Where Used:
Hilti Kwik Bolt II	Zinc	1/2" x 4 1/2"	Shelter Post Shoe



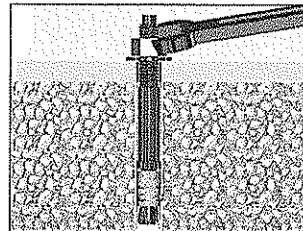
1. Hammer drill a hole the same nominal diameter as the Kwik Bolt, with or without the fixture in place-the Kwik Bolt II works in a "bottomless" hole.
 Note: hole in baseplate must be 1/16" -1/8" larger than nominal anchor diameter.



2. Clean hole with blow out bulb as shown or similar.



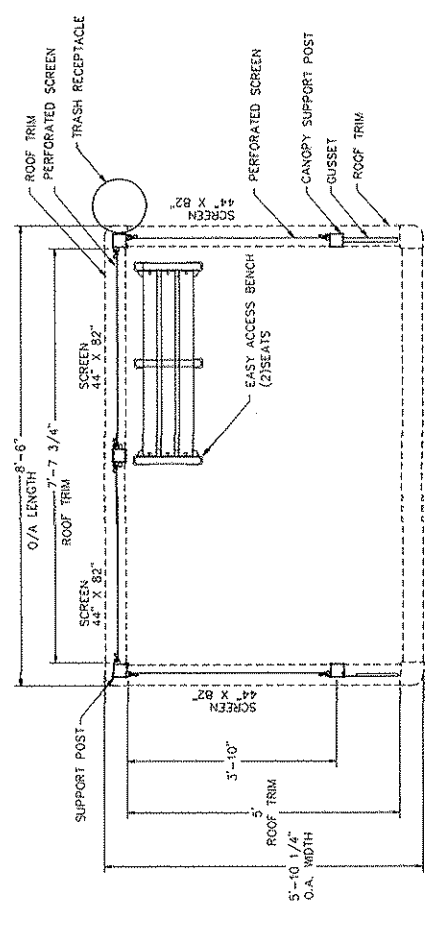
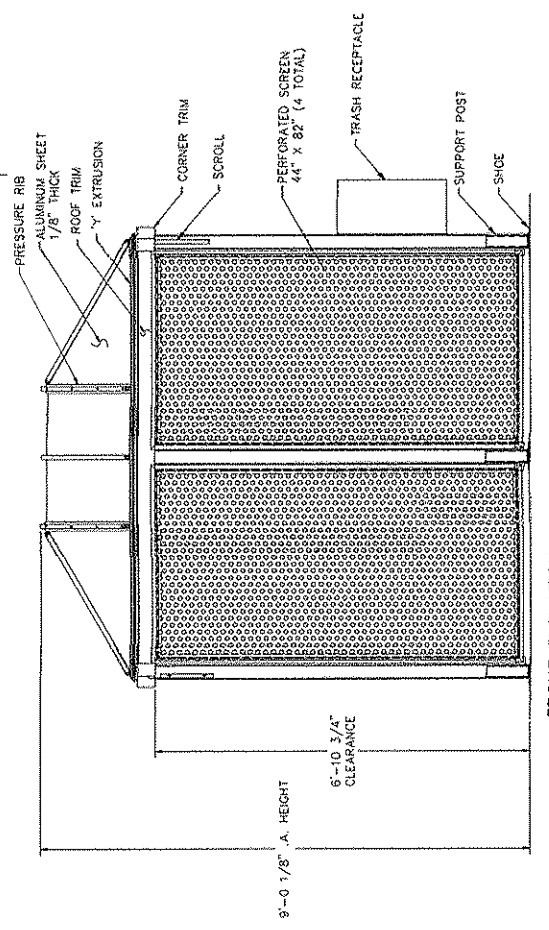
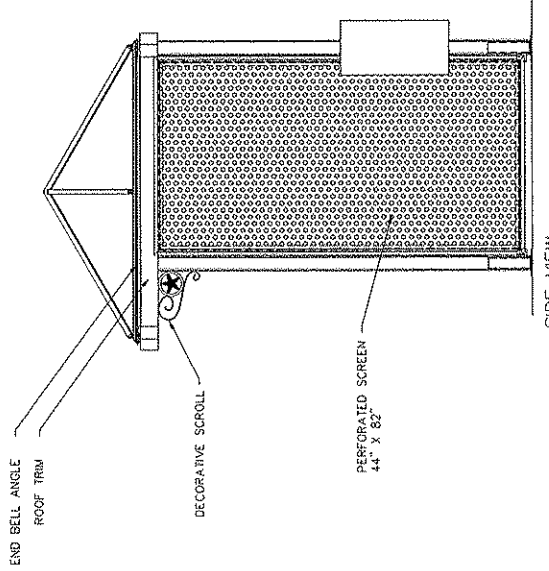
3. Drive the Kwik Bolt II far enough into the hole so that at least six threads are below the top surface of the fixture. A 2 lb. Hammer is recommended to drive anchor into the concrete.



4. Tighten to the recommended torque value with a torque wrench or, if torque wrench is not available, 2 or 3 turns from the finger tight position to achieve proper anchor setting.

Setting Details			KB II 3/8"	KB II 1/2"	KB II 5/8"	KB II 3/4"
BD = D drill bit size = anchor diameter			3/8"	1/2"	5/8"	3/4"
E	depth of embedment (minimum/standard)		1-5/8" / 2-1/2"	2-1/4" / 3-1/2"	2-3/4" / 4"	3-1/4" / 4-3/4"
HD	hole depth E + D (minimum/standard)		2" / 2-7/8"	2-3/4" / 4"	3-3/8" / 4-5/8"	4" / 5-1/2"
L	anchor length (minimum/maximum)		2-1/4" / 7"	2-3/4" / 7"	3-3/4" / 10"	4-1/2" / 12"
TL	thread length (standard/extra)		7/8" / 1-1/8" / 4"	1-1/4" / 4"	1-1/2" / 3-1/2" / 4-1/2"	1-1/2" / 3-1/2" / 4-1/2"
DC	wedge clearance hole		7/16"	9/16"	11/16"	13/16"
M	installation Torque (ft. lb.)	stainless steel	min. E 20	40	85	150
		carbon steel	std. E 30	75	110	200
	guide values	carbon steel	min. E 20	40	85	150
		stainless steel	std. E 30	65	110	235
MT	minimum base material thickness (in.)		3" or 1.3E whichever number is greater			

REVISIONS		DESCRIPTION	DATE	APPROVED
ZONE	REV			



Tolar Manufacturing Company, Inc
 258 Mariah Circle, Corona, CA 92879

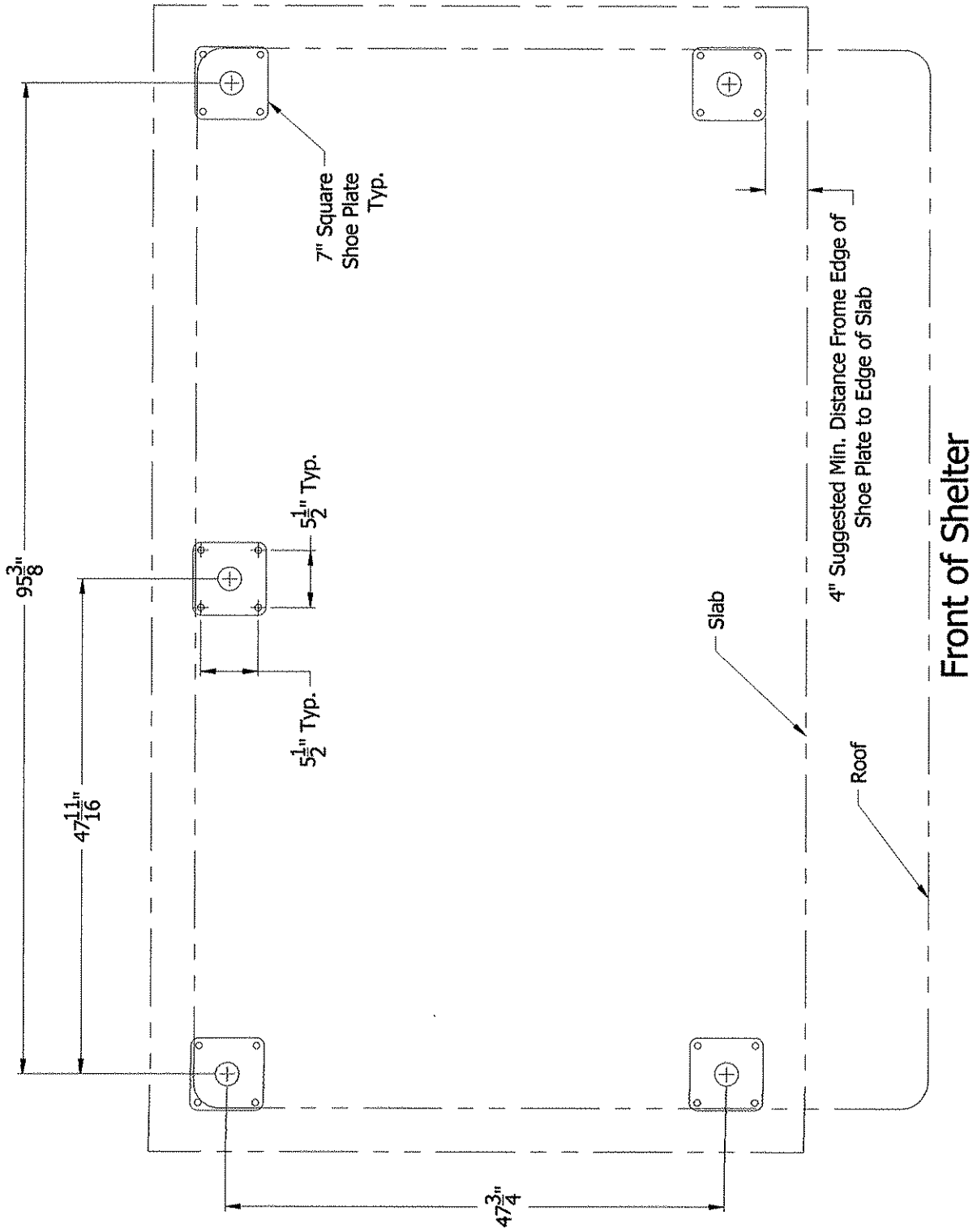
DESCRIPTION
 Elev. Dwg., 9' Non Ad High Peak
 CUSTOMER/VENDOR
 Fort Worth, TX

SIZE MATL.
 A

DWG NO.
 5432

REV

SCALE 1/36 DATE 06/01/05 DRAWN BY: Lakso



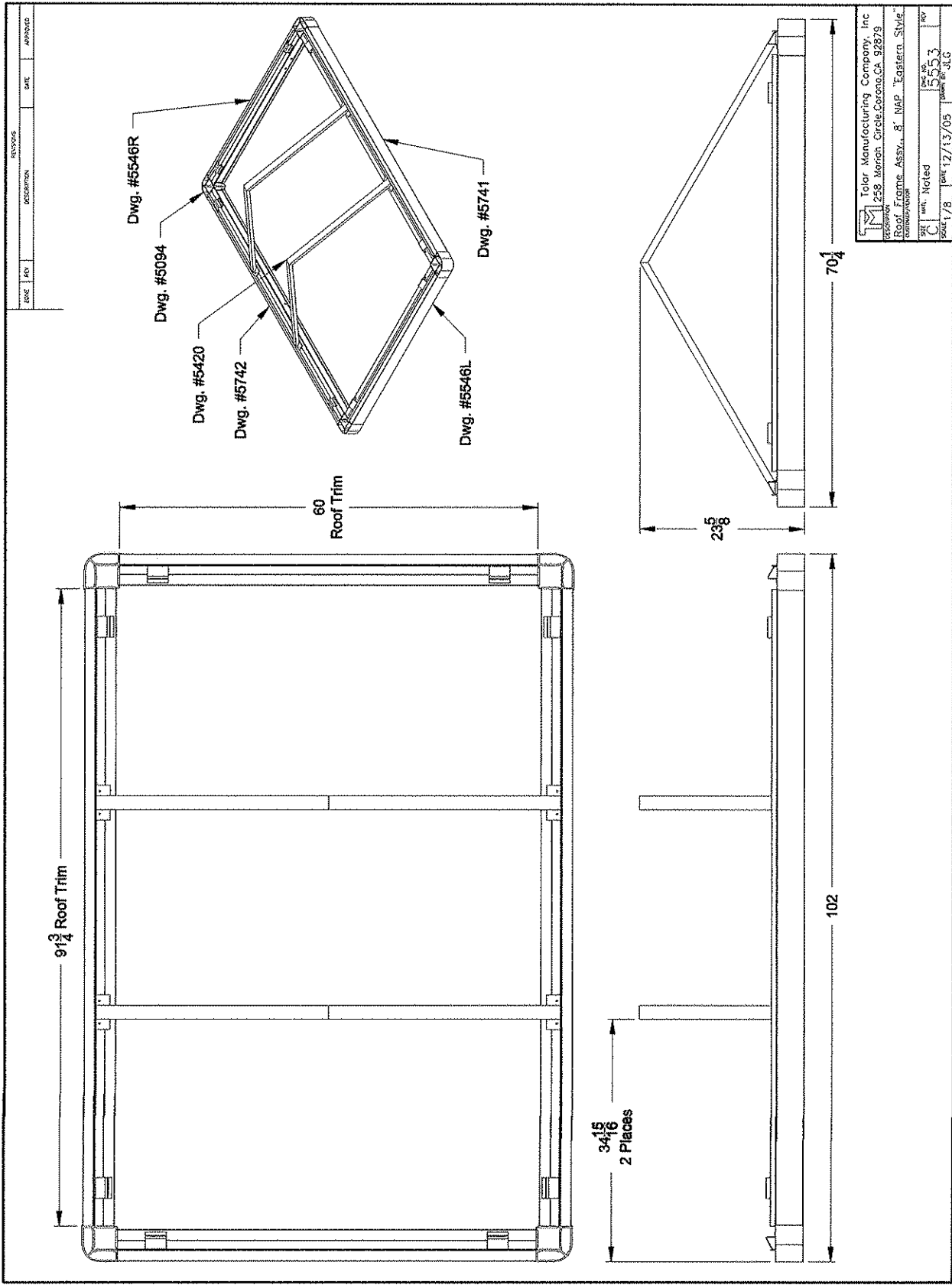
Shelter Assembly at Site:

For smaller shelters, it is not necessary to use any heavy equipment for lifting. Taking care to protect the finish with padding, tilt the roof and insert corner posts into the corner sockets, the rear center post into the rear roof frame and fasten using the 3/8" stainless steel post hardware. For larger shelters, or if you are using a crane with a sling, lift the roof and fasten the posts into the proper locations.

Lower the shelter into position onto the adjustable shoes. The illustration on page 4 shows the shoe layout. Square and plumb the posts so that the distance between the posts at the top and bottom is the same. Use of a wood spacer is recommended if you are not using an installation template.

Using the appropriate size drill as recommended for the ground hardware sets provided, the shoe plate holes through the concrete pad.

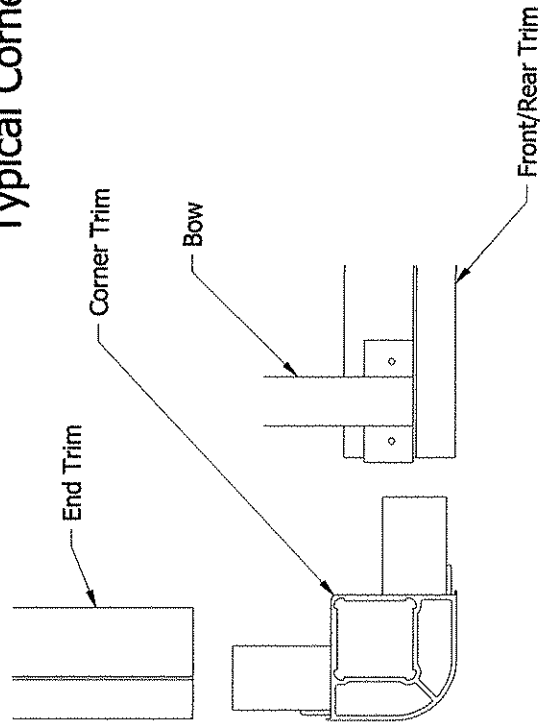
Level and plumb the shelter starting from the highest corner where the shoe's stub shaft can be fully inserted into the post. Using a carpenter's level on the roof perimeter extrusion and posts to check the shelter for level and plumb, and secure the posts by drilling through the post into the stub shaft of the shoe with a number 3 drill bit and insert the #14 x 3/4" drive screws and tap them into place.



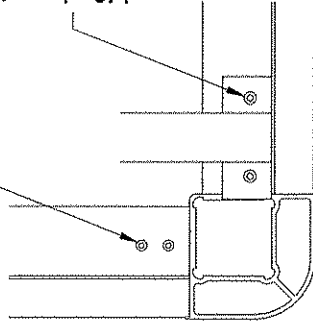
DATE	REV	DESCRIPTION	DATE	APPROVED

Tabor Manufacturing Company, Inc.
 258 Merion Circle, Corning, CA 92879
 Roof Frame Assy. - 8' NAP - Eastern Style
 SCALE: 1/8" = 1'-0" DATE: 12/13/05 PART NO.: JLC
 SHEET: 1 OF 1
 DRAWN BY: Noted
 CHECKED BY: JLC
 DATE: 12/13/05

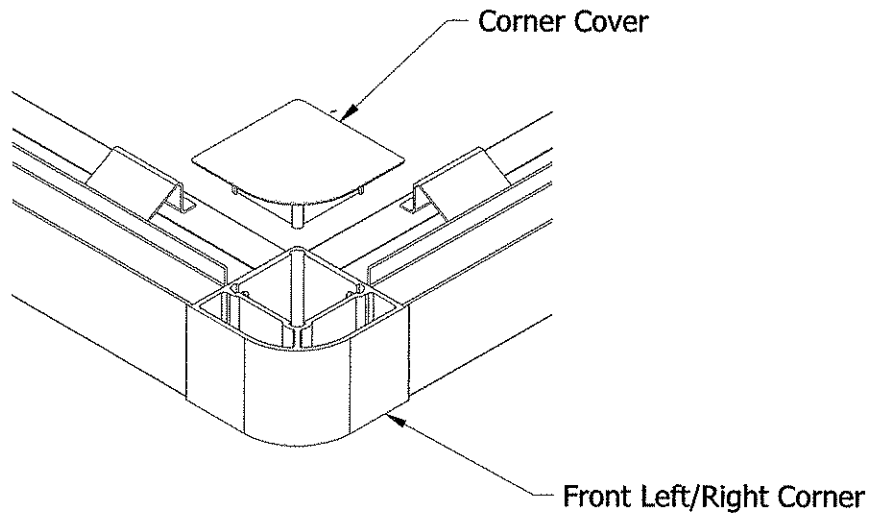
Typical Corner Joint



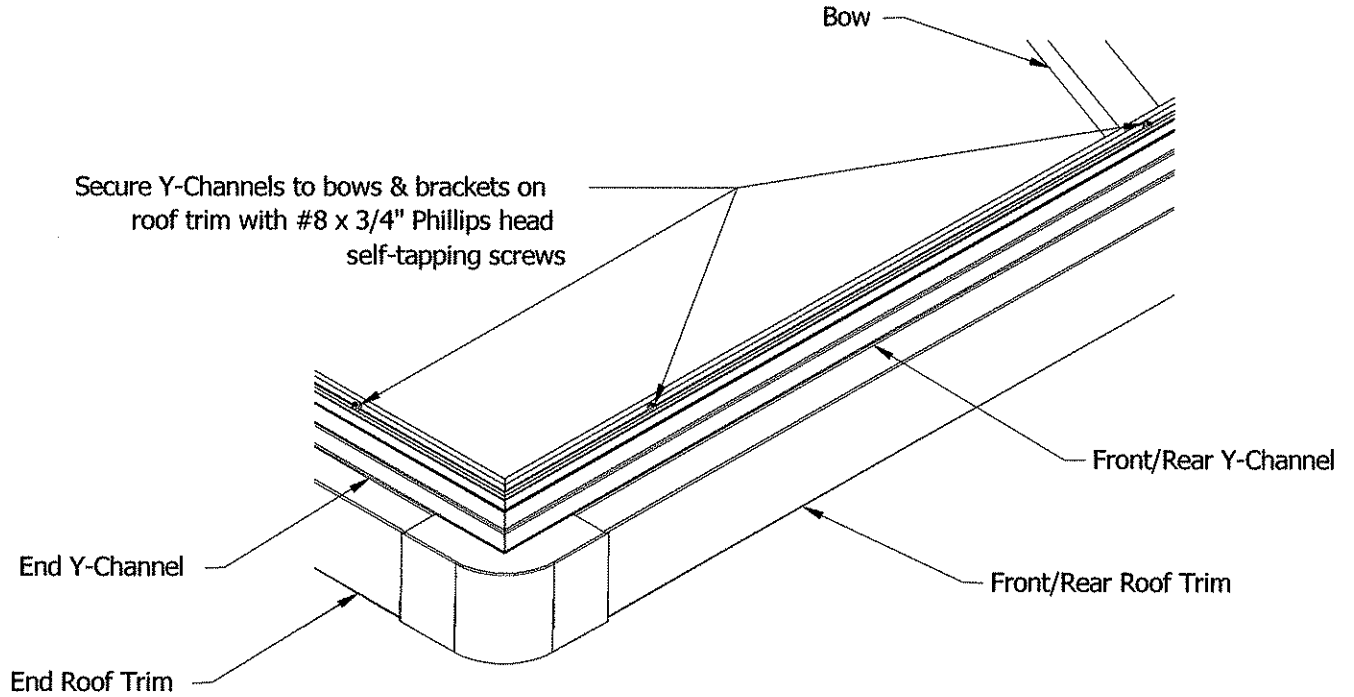
After Joining, Install Two #12 x 1" TEKS Screws

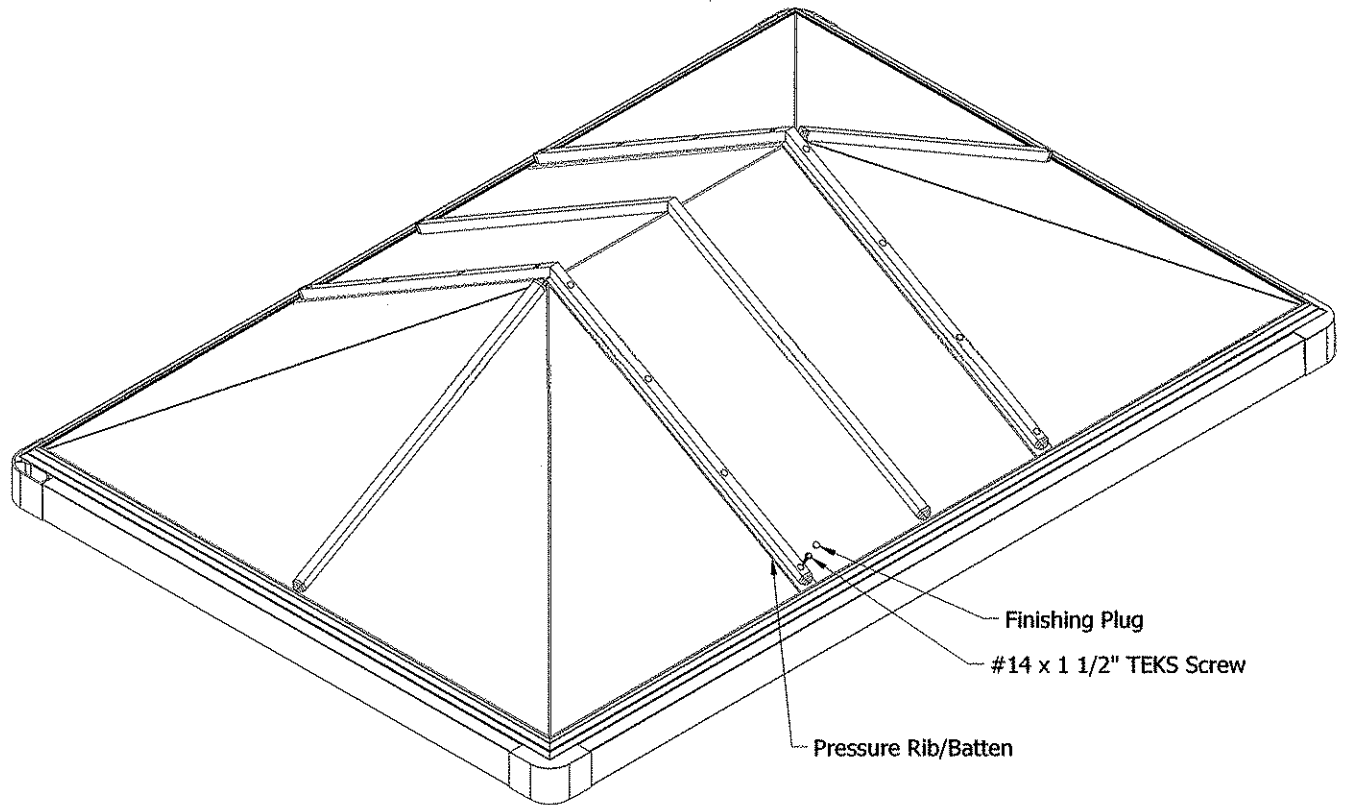


The Two #14 x 1 1/2" TEKS Screws That Secure The Bow Also Secure The Corner Trim To The Front/Rear Trim

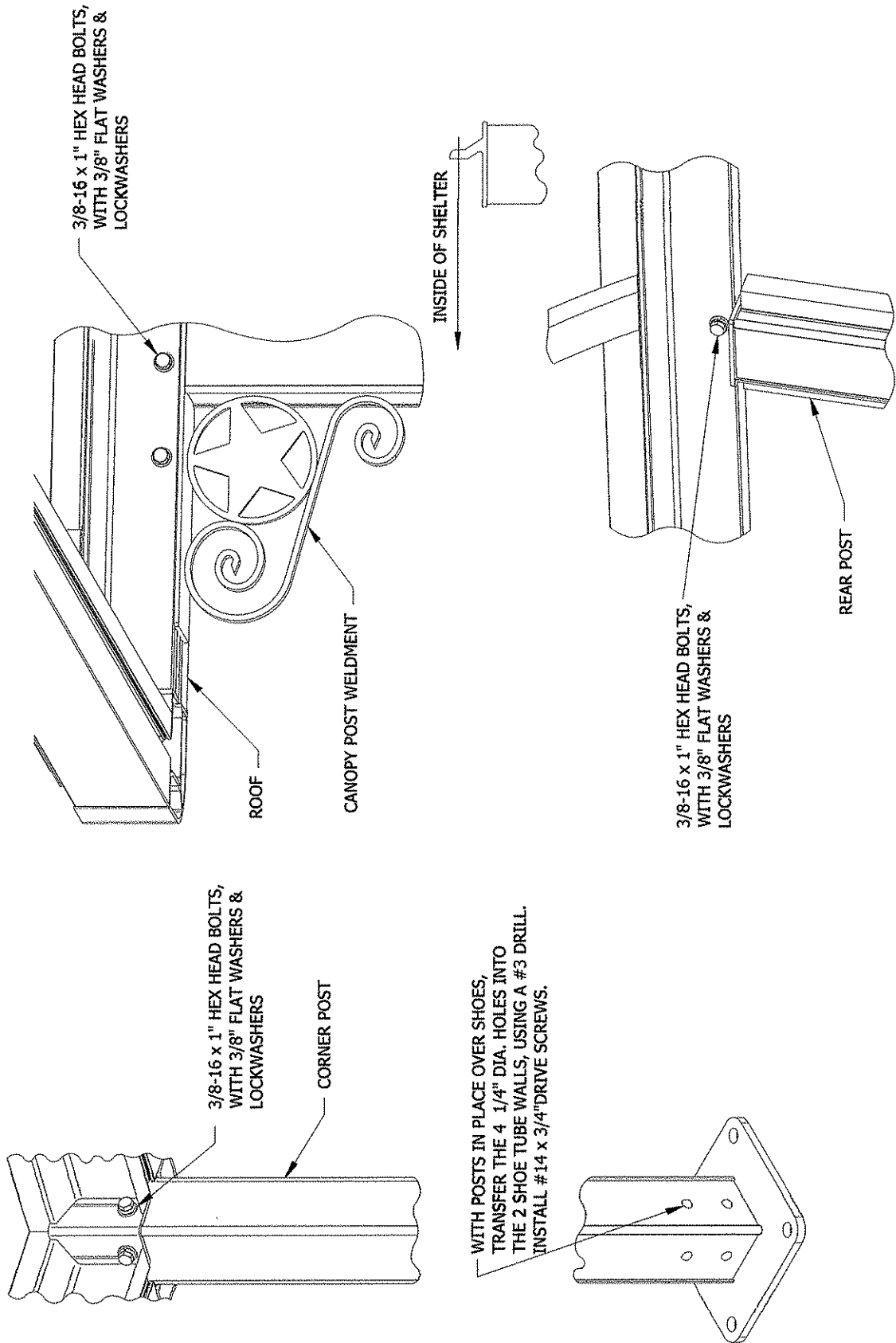


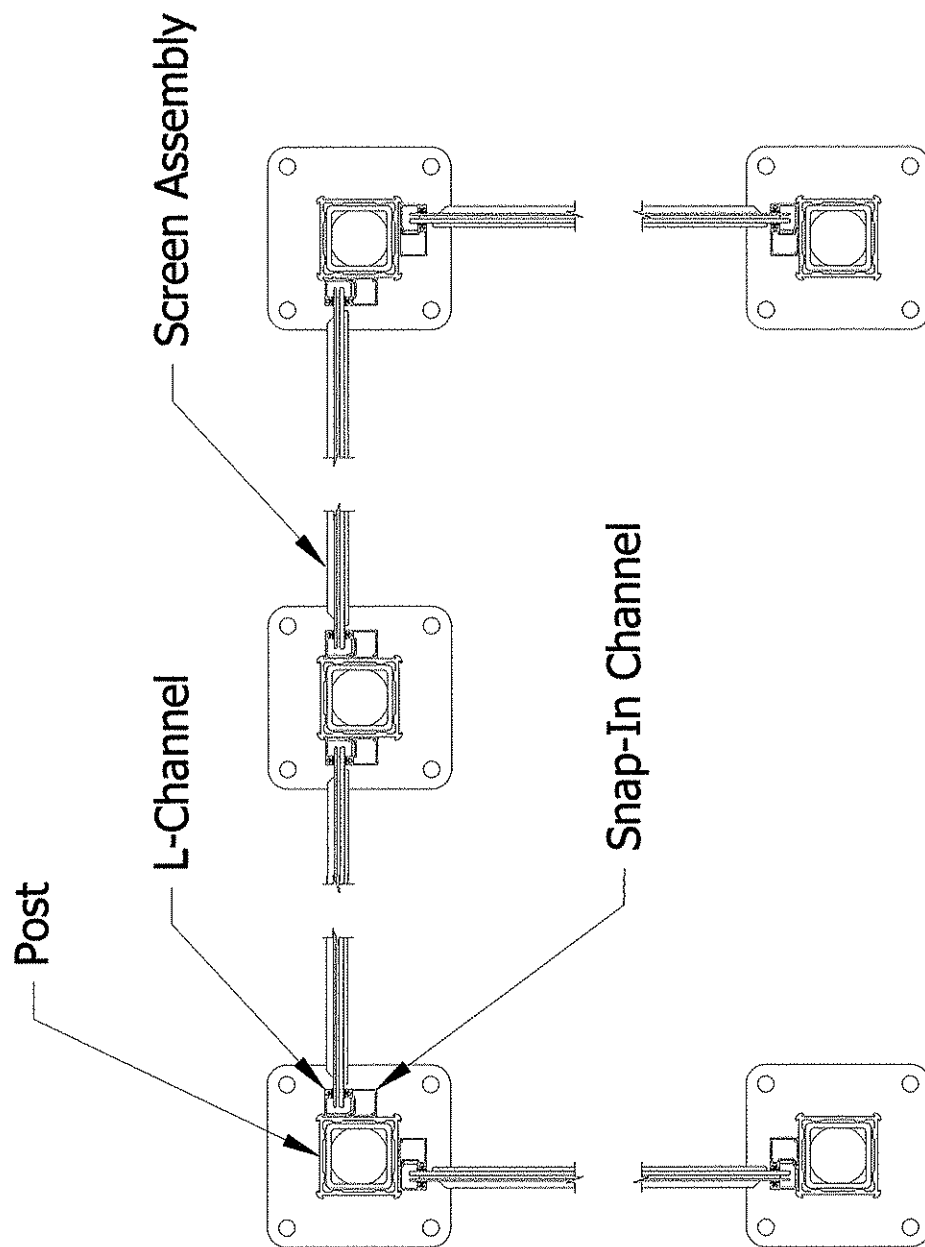
Corner cover is installed by setting in place prior to Y-channels being installed. Corner covers could also be installed to the underside of the corners prior to the roof trim being installed using #8 x 3/4 Phillips head self-tapping screws. However if installed at the bottom the covers could trap water.



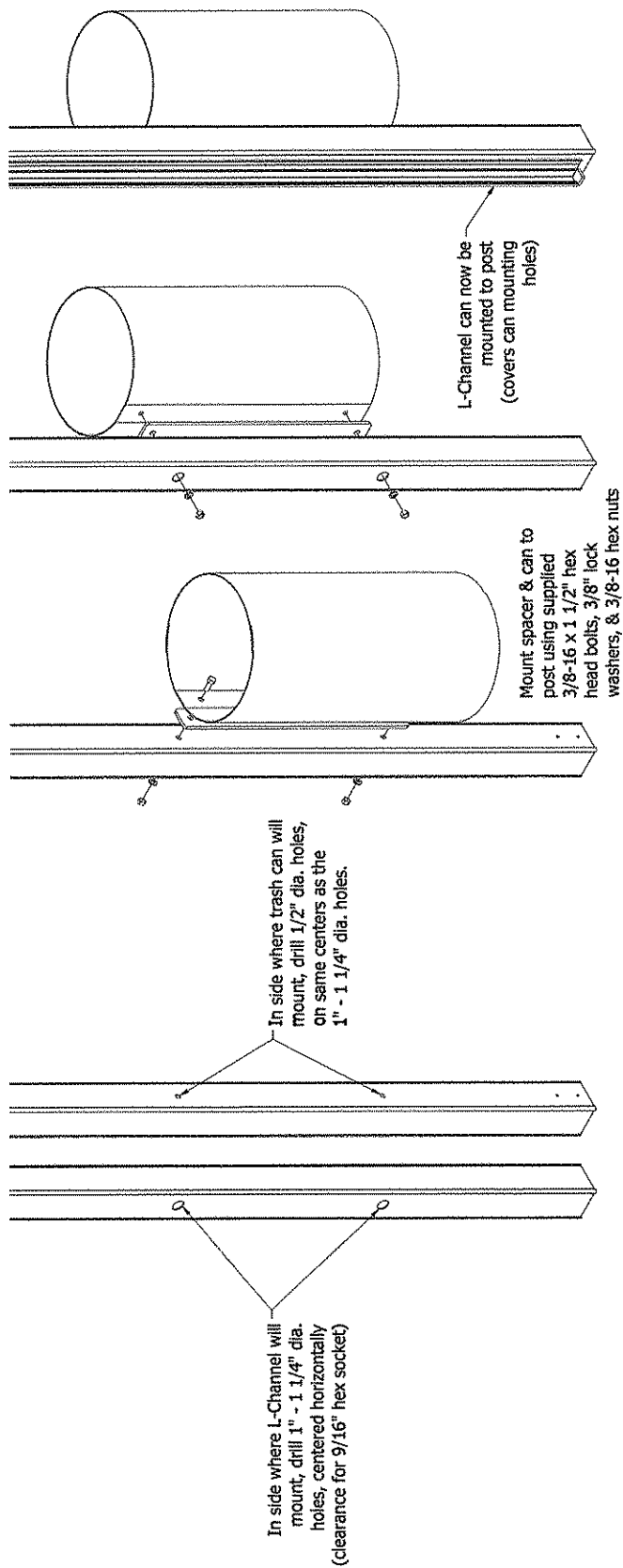


Set roof panels in place with the bottom edges fitting into the Y-channels. Place pressure rib/battens in place and secure with #14 x1 1/2" Lg. TEKS screws. Plug batten holes using the furnished finishing plugs.





L-Channels are installed to the posts with the square block at the bottom. The channels are secured to the posts with #8 x 3/4" Phillips head self-tapping screws, 4 per channel spaced at approx 25" apart. Screen assembly top edge goes up into the roof trim with the sides resting against the L-channels, the bottom edge sitting on the square blocks. The snap-in channels are then snapped into place.



Required Trash Can Installation Method



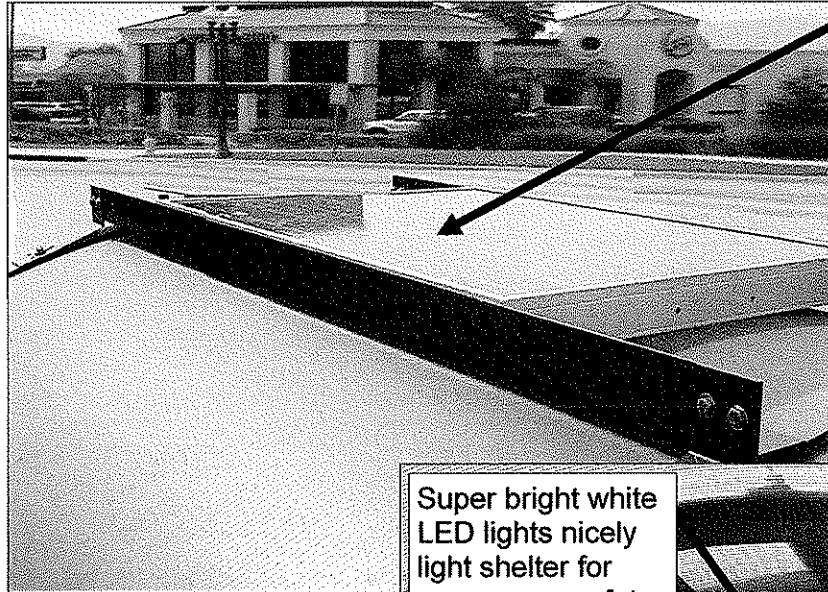
Solar Bus Shelter Security Light

STANDARD FEATURES

- Bright White LED's
- Modular Design
- Plug-in Components
- Vandal Resistant
- All Night Lighting
- Constant Light Levels
- 5-Day Battery Reserve
- 2-Year Warranty

BENEFITS

- Safer Shelters
- Drivers See Riders
- Discourages Loitering
- Light Without:
 - Trenching
 - Transformers
 - Meters
 - Connection Fees
- No Electric Bills
- Easy To Relocate



Solar panel assembly attached to roof structure with aluminum mounting legs and aluminum angle Attachments engineered to withstand the harshest wind load conditions.

Super bright white LED lights nicely light shelter for passenger safety.

Low profile light assembly houses batteries, charge controller, and super bright white LED fixtures. All components protected by vandal resistant powder coated aluminum enclosure.

The Tolar Bus Shelter Security Light uses the latest super bright white LED technology to provide ultra safe, low voltage lighting to illuminate shelters for your passengers as they wait for their transportation.

Designed specifically for use in Tolar shelters, the system is modular in design and fits most of our standard shelters. With no trenching, no wiring, and no connection to grid power, the light can be installed by your personnel in about an hour.

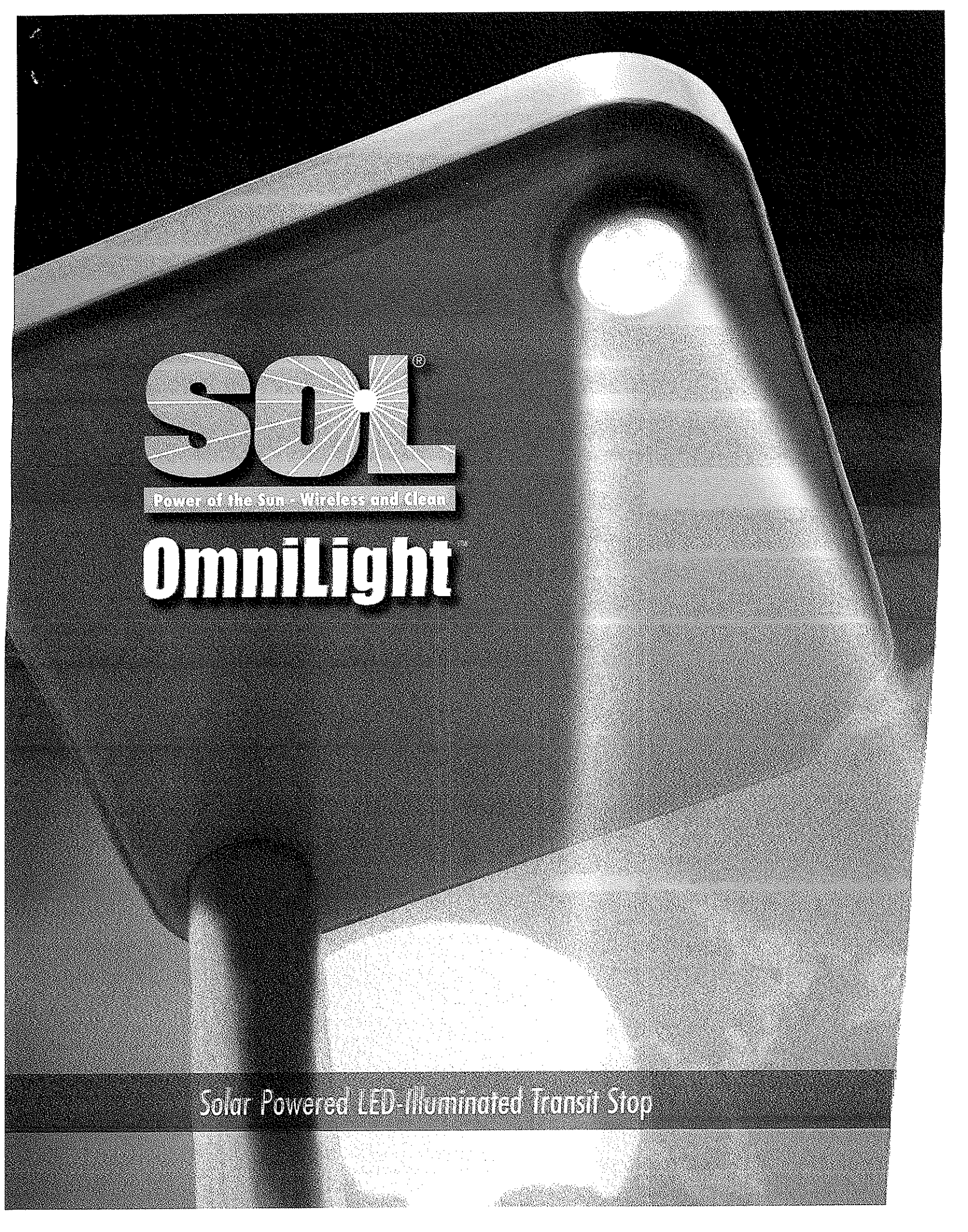
Unique to our system is the use of low profile vandal resistant light assembly. The light assembly houses the batteries, charge controller, and LED lights. Mounted to the inside ceiling of the shelter, the light assembly becomes an integral component of the shelter. The system can be provided for new shelter installations, or retrofitted into existing shelters.

Every system that leaves our factory has been quality control tested and inspected to assure you of an easy installation and highly dependable performance. All mechanical components are designed for simple installation, and electrical connections are the plug in type.

TOLAR MANUFACTURING CO., INC. • Toll free: (800) 339-6165 • (951) 808-0081 • Fax: (951) 808-0041

Home Office: pmerrick@tolarmfg.com • Eastern Regional Office: rclements@tolarmfg.com

www.tolarmfg.com



SOL[®]

Power of the Sun - Wireless and Clean

OmniLight[™]

Solar Powered LED-Illuminated Transit Stop

OmniLight™

Security Light • Illuminated Schedule • Signaling Device

The One Button Advantage

With the push of a button, the solar powered **OmniLight™** provides overhead security lighting, illuminates a bus schedule, and signals that a passenger is waiting. The **OmniLight™** is ideal for areas where there is inadequate lighting, especially where power is not readily accessible.

The **OmniLight™** can be easily installed to virtually any standard bus stop pole. The system is vandal resistant, requires virtually no maintenance, and offers unsurpassed performance and durability.

The **OmniLight™** comes in four different configurations of lights and push buttons. The ability to program each light for different run times makes the **OmniLight™** the most flexible solar-powered transit stop in the industry.

Each System Includes:

- Overhead Lighting Fixture With Integrated Solar Panel
- State-of-the-art LEDs for Powerful Overhead Illumination
- Passenger Signal Light
- Internally Illuminated Schedule Holder
- Illuminated User Activation Button
- Factory Programmable System Controller
- Wiring and Mounting Hardware
- Installation and Operation Instructions

Security Light

The **OmniLight Security Light** feature offers a safer environment for waiting passengers. It is also designed to make passengers more visible to transit operators.

Passenger Signaling Light

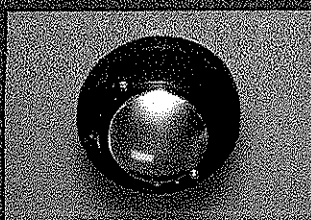
The **OmniLight** signals that a passenger is waiting.

Schedule Illumination

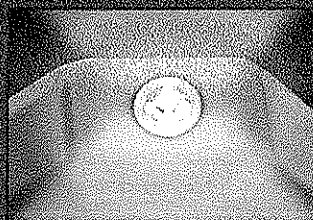
The **OmniLight Schedule Illumination** allows waiting passengers to view bus routes and schedule information at night.

System Self Test

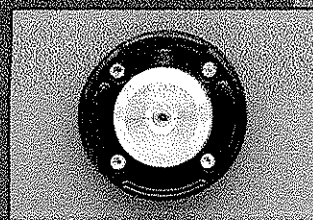
A sequential series of pushes allows for testing of the light during the day without the use of tools.



2" Round Metal ADA Compliant Button



Passenger Signal



Optional Indestructible Button



High Intensity LED Overhead Light

● Standard Features

- Rugged Cast Aluminum Construction
- User Activated Overhead Security and Signal Light
- Quick Install for New and Existing Stops
- Vandal Resistant Hardware
- Illuminated 2" ADA Push Button
- Braille Button Identification Plate
- Maintenance-Free Battery Pack
- 10-Day Battery Reserve
- 5-Year Warranty

Benefits

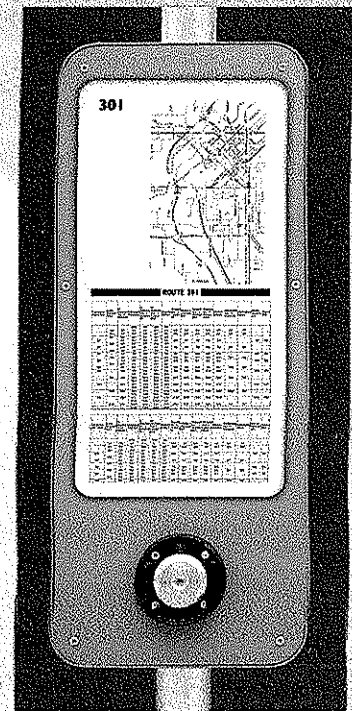
- Bus Stop Illumination Without:
 - Trenching
 - Meters/Transformers
 - Connection Fees
- No Electric bills
- Increase Ridership
- Increase Passenger Safety and Comfort
- Improve Driver's Ability to See Passengers

● Key Features

- Intense Illumination
- High Capacity Battery
- Lamp Life up to 100,000 Hours
- Sleek Profile, Less Than 3" High
- Vandal Resistant
- Illuminated 2" Push Button
- Easy and Complete System Test
- Battery Voltage Display

● Options

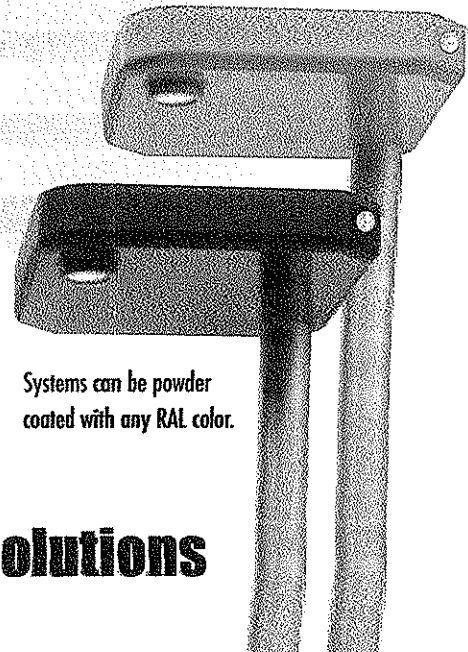
- Passenger Signaling Light
- Push Button With LED Illuminated Sign
- Illuminated Schedule Holder



Large 8" x 16" backlit schedule display uses standard paper.

OmniLight Specifications

Solar panel main housing	Integrated panel, optimized for transit applications. Provides 10.5 watts of power and > 20 year life.
Battery	Sealed, no-maintenance, lead acid
Battery charge indicator	Button LED flashes if battery is low
Power management	Dusk to dawn solid state charge controller with low voltage disconnect
System test function	Complete system test function activated from ground level
Push button // housings	Cast aluminum
Push button	2" ADA compliant
Hardware	Stainless steel, tamper resistant
Illumination technology	Super bright white MR-16 LED spot light, 5,000 Kelvin
Illumination area	+/- 5ft. diameter circle from 10 ft. pole > 3 foot candles
"On" time per activation	Programmable
Maximum no sun days	10 days
Operating temperature	-30° C to 80° C (-22° F to 176° F)
Weight	Approximately 15 lbs.

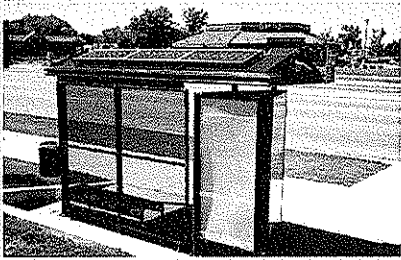


Systems can be powder coated with any RAL color.



The World Leader In Solar Solutions

Other SOL Transit Applications



Ad Shelter Lighting

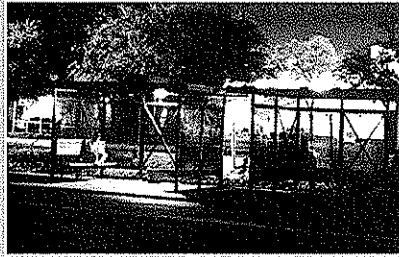
The Transit Shelter Ad Light (TSAL) is ideal for providing ultra safe, low voltage lighting to illuminate back lit ad media in transit shelters.

Designed specifically for the outdoor advertising industry, the system is modular in design and fits in any back to back or triangular ad box.

The solar array that charges the battery(s) can be integrated into the shelter design as shown above or pole mounted adjacent to the shelter.

With no trenching, no wiring, and no connection to grid power, the light can be installed by your personnel in about an hour.

The system requires minimal maintenance and offers unsurpassed durability.



Transit Shelter Security Light

The Transit Shelter Security Light (TSSL) is ideal for providing ultra safe, low voltage lighting to illuminate shelters for your passengers as they wait for their transportation.

Designed specifically for the transit industry, the system is modular in design and fits in any shelter. With no trenching, no wiring, and no connection to grid power, the light can be installed by your personnel in about an hour.

The battery is housed in a heavy duty vandal resistant aluminum enclosure, that incorporates an integrated or remote luminaire for maximum flexibility. The system requires virtually no maintenance and offers unsurpassed durability.

Shelters up to 6' x 15' are nicely illuminated for security and comfort by a single system, and additional systems can be added for larger shelters.



Park and Ride Lighting

Park and Ride locations are frequently in remote areas and often have no lighting. Either the lighting was not planned or the location is so remote that it is cost prohibitive to run power to the site.

The lack of adequate lighting often leaves Park and Rides underutilized by transit customers. Dark areas have the perception of being unsafe, and the lack of lighting discourages even the most avid transit patrons.

With no trenching, no wiring, and no connection to grid power, solar lighting often provides the easiest solution to lighting Park and Rides. In many cases the payback is immediate, and should the location of the Park and Ride change, the lights can easily be moved.



3210 SW 42nd Avenue
Palm City, FL 34990 USA

Ph: (772) 286-9461 • Fx: (772) 286-9619 • 800-959-1329
info@solarlighting.com • www.solarlighting.com