



State of West Virginia
 Department of Administration
 Purchasing Division
 2019 Washington Street East
 Post Office Box 50130
 Charleston, WV 25305-0130

Request for Quotation

RFQ NUMBER
PRI2586

PAGE
1

ADDRESS CORRESPONDENCE TO ATTENTION OF
BUYER 32
304-558-0492

RFQ COPY
TYPE NAME/ADDRESS HERE
VENDOR
 American Thermoform Corporation
 1758 Brackett Street
 La Verne, CA 91750

SHIP TO
 DEPARTMENT OF ADMINISTRATION
 PURCHASING DIVISION
 ATTENTION: WILMA HARRISON
 902 BULLITT STREET
 CHARLESTON, WV
 25301-1002 348-2309

DATE PRINTED 08/31/2006	TERMS OF SALE 45 Days	SHIP VIA Truck Freight	F.O.B. La Verne, CA	FREIGHT TERMS Prepay
BID OPENING DATE: 09/14/2006		BID OPENING TIME 01:30PM		

LINE	QUANTITY	UOP	CAT NO.	ITEM NUMBER	UNIT PRICE	AMOUNT
<p>REQUEST FOR QUOTATION</p> <p>THE PURCHASING DIVISION IS SOLICITING BIDS FOR THE WEST VIRGINIA CORRECTIONAL INDUSTRIES TO PROVIDE A DOUBLE-SIDED BRAILLE PRINTER TO BE DELIVERED AND INSTALLED AT THE HUTTONSVILLE CORRECTIONAL CENTER.</p> <p>ATTACHMENTS: 1. SPECIFICATIONS / BID FORM 2. AFFIDAVIT</p>						
0001	1	EA		600-14	\$39,995.00	\$41,695.00
<p>BRAILLE DOUBLE-SIDED PRINTER</p> <p>VENDOR PREFERENCE CERTIFICATE</p> <p>CERTIFICATION AND APPLICATION* IS HEREBY MADE FOR PREFERENCE IN ACCORDANCE WITH WEST VIRGINIA CODE, 5A-3-37 (DOES NOT APPLY TO CONSTRUCTION CONTRACTS).</p> <p>A. APPLICATION IS MADE FOR 2.5% PREFERENCE FOR THE REASON CHECKED:</p> <p>() BIDDER IS AN INDIVIDUAL RESIDENT VENDOR AND HAS RESIDED CONTINUOUSLY IN WEST VIRGINIA FOR FOUR (4) YEARS IMMEDIATELY PRECEDING THE DATE OF THIS</p>						(Includes shipping, installation, training & Tech. expenses)

SEE REVERSE SIDE FOR TERMS AND CONDITIONS

SIGNATURE *[Signature]* TELEPHONE (909) 593-6711 DATE 09/11/2006
 TITLE Vice President FEIN 95-3877438 ADDRESS CHANGES TO BE NOTED ABOVE

WHEN RESPONDING TO RFQ, INSERT NAME AND ADDRESS IN SPACE ABOVE LABELED 'VENDOR'



State of West Virginia
 Department of Administration
 Purchasing Division
 2019 Washington Street East
 Post Office Box 50130
 Charleston, WV 25305-0130

Request for Quotation

RFO NUMBER
PRI2586

PAGE
2

ADDRESS CORRESPONDENCE TO ATTENTION OF:
BUYER 32
304-558-0492

RFQ COPY
TYPE NAME/ADDRESS HERE
Vendor
 American Thermoform Corporation
 1758 Brackett Street
 La Verne, CA 91750

SHIP TO
 DEPARTMENT OF ADMINISTRATION
 PURCHASING DIVISION
 ATTENTION: WILMA HARRISON
 902 BULLITT STREET
 CHARLESTON, WV
 25301-1002 348-2309

DATE PRINTED 08/31/2006	TERMS OF SALE 45 Days	SHIP VIA Truck Freight	F.O.B. La Verne, CA	FREIGHT TERMS Prepay
BID OPENING DATE: 09/14/2006		BID OPENING TIME 01:30PM		

LINE	QUANTITY	UOP	CAT NO.	ITEM NUMBER	UNIT PRICE	AMOUNT
N/A						
N/A						
N/A						
N/A						

SEE REVERSE SIDE FOR TERMS AND CONDITIONS

SIGNATURE <i>Ruth Hays</i>	TELEPHONE (909) 593-6711	DATE 09/11/2006
TITLE Vice President	FEIN 95-3877438	ADDRESS CHANGES TO BE NOTED ABOVE

WHEN RESPONDING TO RFQ, INSERT NAME AND ADDRESS IN SPACE ABOVE LABELED 'VENDOR'



State of West Virginia
 Department of Administration
 Purchasing Division
 2019 Washington Street East
 Post Office Box 50130
 Charleston, WV 25305-0130

Request for Quotation

RFQ NUMBER
PRI2586

PAGE
3

ADDRESS CORRESPONDENCE TO ATTENTION OF:
BUYER 32
304-558-0492

RFQ COPY

TYPE NAME/ADDRESS HERE

American Thermoform Corporation
 1758 Brackett Street
 La Verne, CA 91750

VENDOR

SHIP TO

DEPARTMENT OF ADMINISTRATION
 PURCHASING DIVISION
 ATTENTION: WILMA HARRISON
 902 BULLITT STREET
 CHARLESTON, WV
 25301-1002 348-2309

DATE PRINTED	TERMS OF SALE	SHIP VIA	F.O.B.	FREIGHT TERMS
08/31/2006	45 Days	Truck Freight	La Verne, CA	Prepay

BID OPENING DATE: **09/14/2006** BID OPENING TIME **01:30PM**

LINE	QUANTITY	UOP	CAT NO.	ITEM NUMBER	UNIT PRICE	AMOUNT
<p>OF BUSINESS WITHIN WEST VIRGINIA EMPLOYING A MINIMUM OF ONE HUNDRED STATE RESIDENTS WHO CERTIFIES THAT, DURING THE LIFE OF THE CONTRACT, ON AVERAGE AT LEAST 75% OF THE EMPLOYEES OR BIDDERS' AFFILIATE'S OR SUBSIDIARY'S EMPLOYEES ARE RESIDENTS OF WEST VIRGINIA WHO HAVE RESIDED IN THE STATE CONTINUOUSLY FOR THE TWO YEARS IMMEDIATELY PRECEDING SUBMISSION OF THIS BID.</p> <p>BIDDER UNDERSTANDS IF THE SECRETARY OF TAX & REVENUE DETERMINES THAT A BIDDER RECEIVING PREFERENCE HAS FAILED TO CONTINUE TO MEET THE REQUIREMENTS FOR SUCH PREFERENCE, THE SECRETARY MAY ORDER THE DIRECTOR OF PURCHASING TO: (A) RESCIND THE CONTRACT OR PURCHASE ORDER ISSUED; OR (B) ASSESS A PENALTY AGAINST SUCH BIDDER IN AN AMOUNT NOT TO EXCEED 5% OF THE BID AMOUNT AND THAT SUCH PENALTY WILL BE PAID TO THE CONTRACTING AGENCY OR DEDUCTED FROM ANY UNPAID BALANCE ON THE CONTRACT OR PURCHASE ORDER.</p> <p>BY SUBMISSION OF THIS CERTIFICATE, BIDDER AGREES TO DISCLOSE ANY REASONABLY REQUESTED INFORMATION TO THE PURCHASING DIVISION AND AUTHORIZES THE DEPARTMENT OF TAX AND REVENUE TO DISCLOSE TO THE DIRECTOR OF PURCHASING APPROPRIATE INFORMATION VERIFYING THAT BIDDER HAS PAID THE REQUIRED BUSINESS TAXES, PROVIDED THAT SUCH INFORMATION DOES NOT CONTAIN THE AMOUNTS OF TAXES PAID NOR ANY OTHER INFORMATION DEEMED BY THE TAX COMMISSIONER TO BE CONFIDENTIAL.</p> <p>UNDER PENALTY OF LAW FOR FALSE SWEARING (WEST VIRGINIA CODE 61-5-3), BIDDER HEREBY CERTIFIES THAT THIS CERTIFICATE IS TRUE AND ACCURATE IN ALL RESPECTS; AND THAT IF A CONTRACT IS ISSUED TO BIDDER AND IF ANYTHING CONTAINED WITHIN THIS CERTIFICATE CHANGES DURING THE TERM OF THE CONTRACT, BIDDER WILL NOTIFY THE PURCHASING DIVISION IN WRITING IMMEDIATELY.</p>						

SEE REVERSE SIDE FOR TERMS AND CONDITIONS

SIGNATURE <i>Walt Hays</i>	TELEPHONE (909) 593-6711	DATE 09/11/2006
TITLE Vice President	FEIN 95-3877438	ADDRESS CHANGES TO BE NOTED ABOVE

WHEN RESPONDING TO RFQ, INSERT NAME AND ADDRESS IN SPACE ABOVE LABELED 'VENDOR'



State of West Virginia
 Department of Administration
 Purchasing Division
 2019 Washington Street East
 Post Office Box 50130
 Charleston, WV 25305-0130

Request for Quotation

RFQ NUMBER
PRI2586

PAGE
4

ADDRESS CORRESPONDENCE TO ATTENTION OF:
BUYER 32
304-558-0492

VENDOR

RFQ COPY
 TYPE NAME/ADDRESS HERE
 American Thermoform Corporation
 1758 Brackett Street
 La Verne, CA 91750

SHIP TO

DEPARTMENT OF ADMINISTRATION
 PURCHASING DIVISION
 ATTENTION: WILMA HARRISON
 902 BULLITT STREET
 CHARLESTON, WV
 25301-1002 348-2309

DATE PRINTED 08/31/2006	TERMS OF SALE 45 Days	SHIP VIA Truck Freight	F.O.B. La Verne, CA	FREIGHT TERMS Prepay
BID OPENING DATE: 09/14/2006		BID OPENING TIME 01:30PM		

LINE	QUANTITY	UOP	CAT NO	ITEM NUMBER	UNIT PRICE	AMOUNT
<p>BIDDER: <u>American Thermoform Corporation</u></p> <p>DATE: <u>09/11/2006</u></p> <p>SIGNED: <u><i>Ruth Hays</i></u></p> <p>TITLE: <u>Vice President</u></p> <p>* CHECK ANY COMBINATION OF PREFERENCE CONSIDERATION(S) IN EITHER "A" OR "B", OR BOTH "A" AND "B" WHICH YOU ARE ENTITLED TO RECEIVE. YOU MAY REQUEST UP TO THE MAXIMUM 5% PREFERENCE FOR BOTH "A" AND "B". (REV. 12/00)</p> <p>NOTICE</p> <p>A SIGNED BID MUST BE SUBMITTED TO:</p> <p>DEPARTMENT OF ADMINISTRATION PURCHASING DIVISION BUILDING 15 2019 WASHINGTON STREET, EAST CHARLESTON, WV 25305-0130</p> <p>THE BID SHOULD CONTAIN THIS INFORMATION ON THE FACE OF THE ENVELOPE OR THE BID MAY NOT BE CONSIDERED:</p> <p>SEALED BID</p>						

SEE REVERSE SIDE FOR TERMS AND CONDITIONS

SIGNATURE <u><i>Ruth Hays</i></u>	TELEPHONE (909) 593-6711	DATE 09/11/2006
TITLE Vice President	FAX 95-3877438	ADDRESS CHANGES TO BE NOTED ABOVE

WHEN RESPONDING TO RFQ, INSERT NAME AND ADDRESS IN SPACE ABOVE LABELED 'VENDOR'



State of West Virginia
 Department of Administration
 Purchasing Division
 2019 Washington Street East
 Post Office Box 50130
 Charleston, WV 25305-0130

Request for Quotation

RFQ NUMBER
PRI2586

PAGE
5

ADDRESS CORRESPONDENCE TO ATTENTION OF:
BUYER 32
304-558-0492

RFQ COPY

TYPE NAME/ADDRESS HERE

Vendor
 American Thermoform Corporation
 1758 Brackett Street
 La Verne, CA 91750

SHIP TO
 DEPARTMENT OF ADMINISTRATION
 PURCHASING DIVISION
 ATTENTION: WILMA HARRISON
 902 BULLITT STREET
 CHARLESTON, WV
 25301-1002 348-2309

DATE PRINTED	TERMS OF SALE	SHIP VIA	F.O.B.	FREIGHT TERMS
08/31/2006				

BID OPENING DATE: **09/14/2006** BID OPENING TIME **01:30PM**

LINE	QUANTITY	UOP	CAT NO.	ITEM NUMBER	UNIT PRICE	AMOUNT
<p>BUYER: RON PRICE</p> <p>RFQ. NO.: PRI2586</p> <p>BID OPENING DATE: SEPTEMBER 14, 2006</p> <p>BID OPENING TIME: 1:30 PM</p> <p>PLEASE PROVIDE A FAX NUMBER IN CASE IT IS NECESSARY TO CONTACT YOU REGARDING YOUR BID: (909) 593-8001</p> <p>CONTACT PERSON (PLEASE PRINT CLEARLY): Ruth Hagen</p> <p>***** THIS IS THE END OF RFQ PRI2586 ***** TOTAL: \$41,695.00</p>						

SEE REVERSE SIDE FOR TERMS AND CONDITIONS

SIGNATURE <i>Ruth Hagen</i>	TELEPHONE (909) 593-6711	DATE 09/11/2006
TITLE Vice President	FEIN 95-3877438	ADDRESS CHANGES TO BE NOTED ABOVE

WHEN RESPONDING TO RFQ, INSERT NAME AND ADDRESS IN SPACE ABOVE LABELED 'VENDOR'

PRI2586 – SPECIFICATIONS / BID FORM – BIDS DUE 9/14/2006

Qty. 1 Braille Double-sided Printer \$41,695.00

Braillo 200 Brailleplace or Equal (Includes shipping, Installation, Training & Tech. expenses)

200 cps	Speed:	300 characters per second
42 Maximum	Line Width:	45 Maximum
27 Maximum	Lines Per Page:	27 Maximum
Continuous tractor fed	Paper Type:	Continuous tractor fed
Lib of Congress std Braille	Braille Size:	Library of Congress standard Braille
27" Wx 37" Lx 25" W	Machine Size:	39" W X 30" D X 58" H
386 lbs.	Weight:	1000 lbs.
230V single phase	Electrical:	220-240 Volt; VAC 50/60 Hz; single phase,
(=/-10%), 50/60Hz		20 A
4A Max.	Fuse Rating:	10 A slow blow, qty. 2
Parallel; serial	Ports:	Port 1 – Centronics compatible parallel
		Port 2 – Asynchronous Serial EIA RS-232D,
		DTE

E.T.A. 3-5 Days

Pricing shall include any and all delivery and installation within 30 days upon receipt of the purchase order.

Braillo: 2 YEAR WARRANTY PARTS ONLY**Bidder Information:**

Name: Ruth Hagen
(Print)

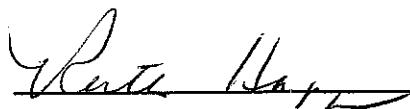
Co. Name: American Thermoform Corporation

Address: 1758 Brackett Street
La Verne, CA 91750

Phone: (909) 593-6711

Fax: (909) 593-8001

Email: rhagen@americanthermoform.com

Signature:**Date:** 09/11/2006

By signing this bid form you understand all terms and conditions of the Request for Quotation.

A F F I D A V I T

West Virginia Code §5A-3-10a states:

No contract or renewal of any contract may be awarded by the state or any of its political subdivisions to any vendor or prospective vendor when the vendor or prospective vendor or a related party to the vendor or prospective vendor is a debtor and the debt owned is an amount greater than one thousand dollars in the aggregate.

DEFINITIONS:

"Debt" means any assessment, premium, penalty, fine, tax or other amount of money owed to the state or any of its political subdivisions because of a judgment, fine, permit violation, license assessment, defaulted workers' compensation premium, penalty or other assessment presently delinquent or due and required to be paid to the state or any of its political subdivisions, including any interest or additional penalties accrued thereon.

"Debtor" means any individual, corporation, partnership, association, limited liability company or any other form or business association owing a debt to the state or any of its political subdivisions.

"Political subdivision" means any county commission; municipality; county board of education; any instrumentality established by a county or municipality; any separate corporation or instrumentality established by one or more counties or municipalities, as permitted by law; or any public body charged by law with the performance of a government function or whose jurisdiction is coextensive with one or more counties or municipalities.

"Related party" means a party, whether an individual, corporation, partnership, association, limited liability company or any other form or business association or other entity whatsoever, related to any vendor by blood, marriage, ownership or contract through which the party has a relationship of ownership or other interest with the vendor so that the party will actually or by effect receive or control a portion of the benefit, profit or other consideration from performance of a vendor contract with the party receiving an amount that meets or exceeds five percent of the total contract amount.

EXCEPTION:

The prohibition of this section does not apply where a vendor has contested any tax administered pursuant to chapter eleven of this code, workers' compensation premium, permit fee or environmental fee or assessment and the matter has not become final or where the vendor has entered into a payment plan or agreement and the vendor is not in default of any of the provisions of such plan or agreement.

LICENSING:

The vendor must be licensed in accordance with any and all state requirements to do business with the state of West Virginia.

CONFIDENTIALITY:

The vendor agrees that he or she will not disclose to anyone, directly or indirectly, any such personally identifiable information or other confidential information gained from the agency, unless the individual who is the subject of the information consents to the disclosure in writing or the disclosure is made pursuant to the agency's policies, procedures and rules. Vendors should visit www.state.wv.us/admin/purchase/privacy for the Notice of Agency Confidentiality Policies.

Under penalty of law for false swearing (West Virginia Code, §61-5-3), it is hereby certified that the vendor acknowledges the information in this said affidavit and are in compliance with the requirements as stated.

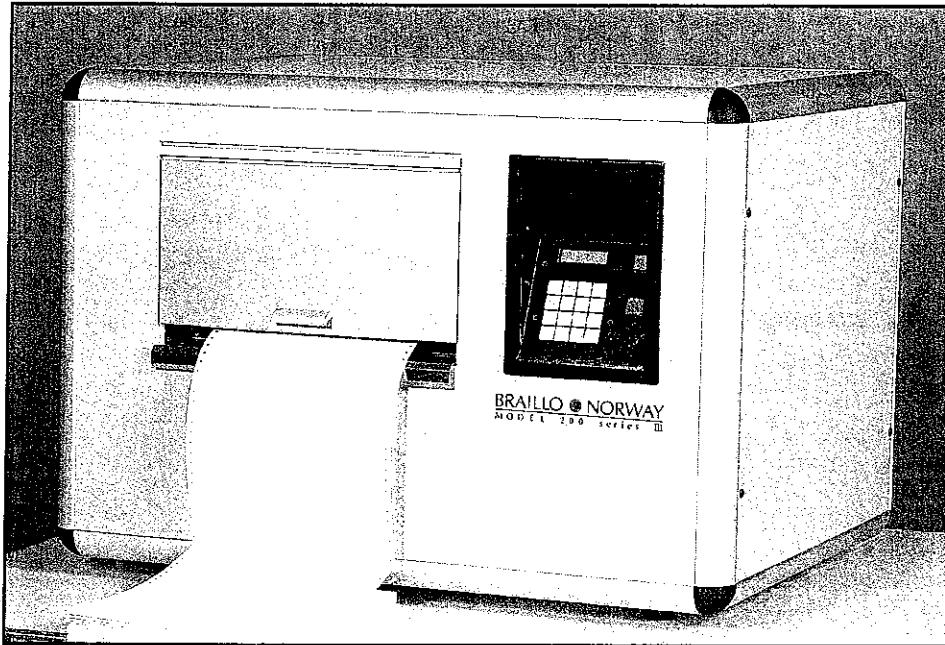
Vendor's Name: American Thermoform Corporation

Authorized Signature: *Kate Hajj*

Date: 09/11/2006

BRAILLO ● 200

**The compact interpoint braille printer
for large volume production**



- Rugged construction for large volume production of braille.
- Low noise.
- Prints both 6 and 8 dot braille.
- Modular design, easy to service.
- Uses standard fanfolded paper in a variety of formats.
- Prints simultaneously on both sides of paper.
- 2 years warranty on parts.
- High speed, 600 pages per hour continuous printing.
- High braille quality. Each document is an original.
- Thoroughly tested with years of experience by many internationally known users.

BRAILLO ● NORWAY

Technical Specifications Braillo 200

Format:

Char. per line: 10 - 42 characters
Sheet length: 4 - 14 inches
Sheet width: 140 - 330 mm
Page layout: Normal / Z-fold
Page 1: Up / Down
Printing Mode: Single / Interpoint
Page Length: No form feed / Normal / Normal -1 to -9 lines
Braille cell: Standard medium 6 or 8 dot
Line spacing: From 0 3175 to 10.16 mm. Standard is 5 08 mm
Paper Weight: 120 - 180 g/m², Recommended 150 g/m²

Printing Speed: 200 characters per second, approx. 600 printed pages per hour

Electrical:

Voltage: Single phase 230V (+/- 10 %), 50/60Hz
Current: Approx 4 A max
Fuse Printer: 10 A
Power: Approx. 1000 W max

Communication with the computer:

Parallel on Centronics (25 pin D-sub female), or
Serial on RS 232 C (25 pin D-sub male).
Both are electrical isolated with opto-couplers
to prevent noise and ground loops

Parameters for the serial port:

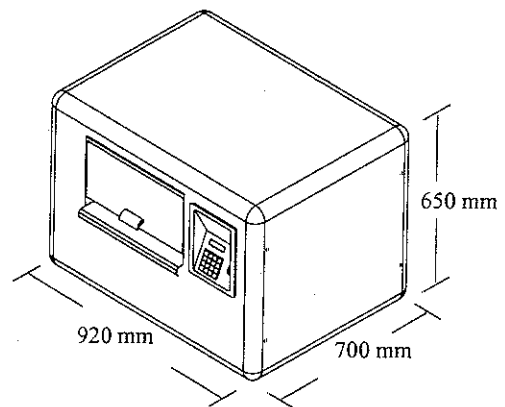
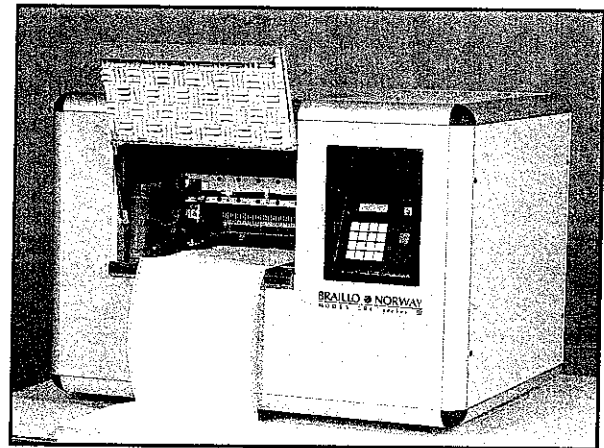
Baud rate: 150 - 19200
Parity: No / Odd / Even
Data bit: 7 / 8
Stop bit: 1 / 2

Environment:

Temperatures: 15 - 30°C (60 - 86°F)
Rel. Humidity: 40 - 60%

Measurements:

Height: 650 mm
Width: 700 mm
Length: 920 mm
Weight: 145 kilos



The manufacturer reserves the right to change the specifications without further notice

Produced and marketed by:

BRAILLO NORWAY AS
P. O. Box 447
3101 Tønsberg, Norway

Distributed by:

American Thermoform Corporation
1758 Brackett Street, La Verne, CA 91750
(909)593-6711 * (909)593-8001 fax
email: sales@americanthermoform.com
web site: www.americanthermoform.com

Phone: +47 33 31 66 22

Fax: +47 33 31 66 77

E-mail: braillo@braillo.no

Internet: www.braillo.com