



State of West Virginia  
 Department of Administration  
 Purchasing Division  
 2019 Washington Street East  
 Post Office Box 50130  
 Charleston, WV 25305-0130

# Request for Quotation

RFQ NUMBER
LSH70141

PAGE
1

ADDRESS CORRESPONDENCE TO ATTENTION OF:
ROBERTA WAGNER 304-558-0067

VENDOR

INDEPENDENT LIFESTYLES  
 4880 SOUTH AMHERST HWY  
 MADISON HEIGHTS VA 24572

SHIP TO

HEALTH AND HUMAN RESOURCES  
 LAKIN HOSPITAL

1 BATEMAN CIRCLE  
 LAKIN, WV  
 25287

304-675-0860

DATE PRINTED	TERMS OF SALE	SHIP VIA	F.O.B.	FREIGHT TERMS
10/08/2006				

BID OPENING DATE: 11/09/2006 BID OPENING TIME 01:30PM

LINE	QUANTITY	UOP	CAT NO.	ITEM NUMBER	UNIT PRICE	AMOUNT
0001	1	EA		070-93		
2006 WHEELCHAIR VAN WITH LIFT  PROVIDE 2006 WHEELCHAIR VAN WITH LIFT AS PER THE THE ATTACHED SPECIFICATIONS.  VEHICLE IDENTIFICATION NUMBERS MUST BE SUPPLIED TO FLEET MANAGEMENT BY FAX 304-558-6026, REFERENCING THE PURCHASE ORDER NUMBER TO THE ATTENTION OF JANICE BOGGS AND/OR BARRY GUNNOE ---10--- DAYS PRIOR TO DELIVERY.  CANCELLATION: THE DIRECTOR OF PURCHASING RESERVES THE RIGHT TO CANCEL THIS CONTRACT IMMEDIATELY UPON WRITTEN NOTICE TO THE VENDOR IF THE COMMODITIES AND/OR SERVICES SUPPLIED ARE OF AN INFERIOR QUALITY OR DO NOT CONFORM TO THE SPECIFICATIONS OF THE BID AND CONTRACT HEREIN.  BANKRUPTCY: IN THE EVENT THE VENDOR/CONTRACTOR FILES FOR BANKRUPTCY PROTECTION, THIS CONTRACT IS AUTOMATICALLY NULL AND VOID, AND IS TERMINATED WITHOUT FURTHER ORDER.  INQUIRIES: WRITTEN QUESTIONS SHALL BE ACCEPTED THROUGH CLOSE OF BUSINESS ON MONDAY, OCTOBER 23, 2006. QUESTIONS MAY BE SENT VIA USPS, FAX, COURIER OR E-MAIL. IN ORDER TO ASSURE NO VENDOR RECEIVES AN UNFAIR ADVANTAGE, NO SUBSTANTIVE QUESTIONS WILL BE ANSWERED ORALLY. IF POSSIBLE, E-MAIL QUESTIONS ARE PREFERRED. ADDRESS						

SEE REVERSE SIDE FOR TERMS AND CONDITIONS

SIGNATURE	TELEPHONE	DATE
TITLE	FEIN	ADDRESS CHANGES TO BE NOTED ABOVE

WHEN RESPONDING TO RFQ, INSERT NAME AND ADDRESS IN SPACE ABOVE LABELED 'VENDOR'

**GENERAL TERMS & CONDITIONS  
REQUEST FOR QUOTATION (RFQ) AND REQUEST FOR PROPOSAL (RFP)**

1. Awards will be made in the best interest of the State of West Virginia.
2. The State may accept or reject in part, or in whole, any bid.
3. All quotations are governed by the *West Virginia Code* and the *Legislative Rules* of the Purchasing Division.
4. Prior to any award, the apparent successful vendor must be properly registered with the Purchasing Division and have paid the required \$125.00 registration fee.
5. All services performed or goods delivered under State Purchase Orders/Contracts are to be continued for the term of the Purchase Order/Contract, contingent upon funds being appropriated by the Legislature or otherwise being made available. In the event funds are not appropriated or otherwise available for these services or goods, this Purchase Order/Contract becomes void and of no effect after June 30.
6. Payment may only be made after the delivery and acceptance of goods or services.
7. Interest may be paid for late payment in accordance with the *West Virginia Code*.
8. Vendor preference will be granted upon written request in accordance with the *West Virginia Code*.
9. The State of West Virginia is exempt from federal and state taxes and will not pay or reimburse such taxes.
10. The Director of Purchasing may cancel any Purchase Order/Contract upon 30 days written notice to the seller.
11. The laws of the State of West Virginia and the *Legislative Rules* of the Purchasing Division shall govern all rights and duties under the Contract, including without limitation the validity of this Purchase Order/Contract.
12. Any reference to automatic renewal is hereby deleted. The Contract may be renewed only upon mutual written agreement of the parties.
13. **BANKRUPTCY:** In the event the vendor/contractor files for bankruptcy protection, this contract is automatically null and void, and is terminated without further order.
14. **HIPAA Business Associate Addendum** - The West Virginia State Government HIPAA Business Associate Addendum (BAA), approved by the Attorney General, and available online at the Purchasing Division's web site (<http://www.state.wv.us/admin/purchase/vrc/hipaa.htm>) is hereby made part of the agreement. Provided that, the Agency meets the definition of a Covered Entity (45 CFR §160.103) and will be disclosing Protected Health Information (45 CFR §160.103) to the vendor.

---

**INSTRUCTIONS TO BIDDERS**

1. Use the quotation forms provided by the Purchasing Division.
2. **SPECIFICATIONS:** Items offered must be in compliance with the specifications. Any deviation from the specifications must be clearly indicated by the bidder. Alternates offered by the bidder as **EQUAL** to the specifications must be clearly defined. A bidder offering an alternate should attach complete specifications and literature to the bid. The Purchasing Division may waive minor deviations to specifications.
3. Complete all sections of the quotation form.
4. Unit prices shall prevail in cases of discrepancy.
5. All quotations are considered F.O.B. destination unless alternate shipping terms are clearly identified in the quotation.
6. **BID SUBMISSION:** All quotations must be delivered by the bidder to the office listed below prior to the date and time of the bid opening. Failure of the bidder to deliver the quotations on time will result in bid disqualifications.

**SIGNED BID TO:**

Department of Administration  
Purchasing Division  
2019 Washington Street East  
Post Office Box 50130  
Charleston, WV 25305-0130



State of West Virginia  
 Department of Administration  
 Purchasing Division  
 2019 Washington Street East  
 Post Office Box 50130  
 Charleston, WV 25305-0130

# Request for Quotation

RFQ NUMBER  
 LSH70141

PAGE  
 2

ADDRESS CORRESPONDENCE TO ATTENTION OF:  
 ROBERTA WAGNER  
 304-558-0067

VENDOR

RFQ COPY  
 TYPE NAME/ADDRESS HERE

SHIP TO

HEALTH AND HUMAN RESOURCES  
 LAKIN HOSPITAL  
 1 BATEMAN CIRCLE  
 LAKIN, WV  
 25287 304-675-0860

DATE PRINTED	TERMS OF SALE	SHIP VIA	F.O.B.	FREIGHT TERMS
10/08/2006				

BID OPENING DATE: 11/09/2006 BID OPENING TIME 01:30PM

LINE	QUANTITY	UOP	CAT. NO.	ITEM NUMBER	UNIT PRICE	AMOUNT
<p>INQUIRIES TO:</p> <p>ROBERTA WAGNER            DEPARTMENT OF ADMINISTRATION            PURCHASING DIVISION            2019 WASHINGTON STREET, EAST            CHARLESTON, WV 25311            FAX: 304-558-4115            E-MAIL: RWAGNER@WVADMIN.GOV</p> <p>THE MODEL/BRAND/SPECIFICATIONS NAMED HEREIN ESTABLISH THE ACCEPTABLE LEVEL OF QUALITY ONLY AND ARE NOT INTENDED TO REFLECT A PREFERENCE OR FAVOR ANY PARTICULAR BRAND OR VENDOR. VENDORS WHO ARE BIDDING ALTERNATES SHOULD SO STATE AND INCLUDE PERTINENT LITERATURE AND SPECIFICATIONS. FAILURE TO PROVIDE INFORMATION FOR ANY ALTERNATES MAY BE GROUNDS FOR REJECTION OF THE BID. THE STATE RESERVES THE RIGHT TO WAIVE MINOR IRREGULARITIES IN BIDS OR SPECIFICATIONS IN ACCORDANCE WITH SECTION 148-1-4(F) OF THE WEST VIRGINIA LEGISLATIVE RULES AND REGULATIONS.</p> <p>VENDOR PREFERENCE CERTIFICATE</p> <p>CERTIFICATION AND APPLICATION* IS HEREBY MADE FOR PREFERENCE IN ACCORDANCE WITH WEST VIRGINIA CODE, 5A-3-37 (DOES NOT APPLY TO CONSTRUCTION CONTRACTS).</p> <p>A. APPLICATION IS MADE FOR 2.5% PREFERENCE FOR THE REASON CHECKED:</p> <p>( ) BIDDER IS AN INDIVIDUAL RESIDENT VENDOR AND HAS RESIDED CONTINUOUSLY IN WEST VIRGINIA FOR FOUR</p>						

SEE REVERSE SIDE FOR TERMS AND CONDITIONS

SIGNATURE	TELEPHONE	DATE
TITLE	FEIN	ADDRESS CHANGES TO BE NOTED ABOVE

WHEN RESPONDING TO RFQ, INSERT NAME AND ADDRESS IN SPACE ABOVE LABELED 'VENDOR'



State of West Virginia  
 Department of Administration  
 Purchasing Division  
 2019 Washington Street East  
 Post Office Box 50130  
 Charleston, WV 25305-0130

# Request for Quotation

RFQ NUMBER  
 LSH70141

PAGE  
 3

ADDRESS CORRESPONDENCE TO ATTENTION OF:  
 ROBERTA WAGNER  
 304-558-0067

VENDOR

RFQ COPY  
 TYPE NAME/ADDRESS HERE

SHIP TO

HEALTH AND HUMAN RESOURCES  
 LAKIN HOSPITAL  
 1 BATEMAN CIRCLE  
 LAKIN, WV  
 25287  
 304-675-0860

DATE PRINTED 10/08/2006	TERMS OF SALE	SHIP VIA	F.O.B.	FREIGHT TERMS
----------------------------	---------------	----------	--------	---------------

BID OPENING DATE: 11/09/2006 BID OPENING TIME 01:30PM

LINE	QUANTITY	UOP	CAT. NO.	ITEM NUMBER	UNIT PRICE	AMOUNT
<p>(4) YEARS IMMEDIATELY PRECEDING THE DATE OF THIS CERTIFICATION; OR</p> <p>( ) BIDDER IS A PARTNERSHIP, ASSOCIATION OR CORPORATION RESIDENT VENDOR AND HAS MAINTAINED ITS HEAD-QUARTERS OR PRINCIPAL PLACE OF BUSINESS CONTINUOUSLY IN WEST VIRGINIA FOR FOUR (4) YEARS IMMEDIATELY PRECEDING THE DATE OF THIS CERTIFICATION; OR 80% OF THE OWNERSHIP INTEREST OF BIDDER IS HELD BY ANOTHER INDIVIDUAL, PARTNERSHIP, ASSOCIATION OR CORPORATION RESIDENT VENDOR WHO HAS MAINTAINED ITS HEADQUARTERS OR PRINCIPAL PLACE OF BUSINESS CONTINUOUSLY IN WEST VIRGINIA FOR FOUR (4) YEARS IMMEDIATELY PRECEDING THE DATE OF THIS CERTIFICATION; OR</p> <p>( ) BIDDER IS A CORPORATION NONRESIDENT VENDOR WHICH HAS AN AFFILIATE OR SUBSIDIARY WHICH EMPLOYS A MINIMUM OF ONE HUNDRED STATE RESIDENTS AND WHICH HAS MAINTAINED ITS HEADQUARTERS OR PRINCIPAL PLACE OF BUSINESS WITHIN WEST VIRGINIA CONTINUOUSLY FOR THE FOUR (4) YEARS IMMEDIATELY PRECEDING THE DATE OF THIS CERTIFICATION.</p> <p>B. APPLICATION IS MADE FOR 2.5% PREFERENCE FOR THE REASON CHECKED:</p> <p>( ) BIDDER IS A RESIDENT VENDOR WHO CERTIFIES THAT, DURING THE LIFE OF THE CONTRACT, ON AVERAGE AT LEAST 75% OF THE EMPLOYEES WORKING ON THE PROJECT BEING BID ARE RESIDENTS OF WEST VIRGINIA WHO HAVE RESIDED IN THE STATE CONTINUOUSLY FOR THE TWO YEARS IMMEDIATELY PRECEDING SUBMISSION OF THIS BID;          OR</p> <p>( ) BIDDER IS A NONRESIDENT VENDOR EMPLOYING A MINIMUM OF ONE HUNDRED STATE RESIDENTS OR IS A NONRESIDENT VENDOR WITH AN AFFILIATE OR SUBSIDIARY</p>						

SEE REVERSE SIDE FOR TERMS AND CONDITIONS

SIGNATURE \_\_\_\_\_ TELEPHONE \_\_\_\_\_ DATE \_\_\_\_\_

TITLE \_\_\_\_\_ FEIN \_\_\_\_\_ ADDRESS CHANGES TO BE NOTED ABOVE

WHEN RESPONDING TO RFQ, INSERT NAME AND ADDRESS IN SPACE ABOVE LABELED 'VENDOR'



State of West Virginia  
 Department of Administration  
 Purchasing Division  
 2019 Washington Street East  
 Post Office Box 50130  
 Charleston, WV 25305-0130

# Request for Quotation

RFQ NUMBER
LSH70141

PAGE
4

ADDRESS CORRESPONDENCE TO ATTENTION OF:
ROBERTA WAGNER 304-558-0067

VENDOR

RFQ COPY  
 TYPE NAME/ADDRESS HERE

SHIP TO

HEALTH AND HUMAN RESOURCES  
 LAKIN HOSPITAL

1 BATEMAN CIRCLE  
 LAKIN, WV  
 25287

304-675-0860

DATE PRINTED	TERMS OF SALE	SHIP VIA	F.O.B.	FREIGHT TERMS
10/08/2006				

BID OPENING DATE: 11/09/2006 BID OPENING TIME 01:30PM

LINE	QUANTITY	UOP	CAT. NO.	ITEM NUMBER	UNIT PRICE	AMOUNT
<p>WHICH MAINTAINS ITS HEADQUARTERS OR PRINCIPAL PLACE OF BUSINESS WITHIN WEST VIRGINIA EMPLOYING A MINIMUM OF ONE HUNDRED STATE RESIDENTS WHO CERTIFIES THAT, DURING THE LIFE OF THE CONTRACT, ON AVERAGE AT LEAST 75% OF THE EMPLOYEES OR BIDDERS' AFFILIATE'S OR SUBSIDIARY'S EMPLOYEES ARE RESIDENTS OF WEST VIRGINIA WHO HAVE RESIDED IN THE STATE CONTINUOUSLY FOR THE TWO YEARS IMMEDIATELY PRECEDING SUBMISSION OF THIS BID.</p> <p>BIDDER UNDERSTANDS IF THE SECRETARY OF TAX &amp; REVENUE DETERMINES THAT A BIDDER RECEIVING PREFERENCE HAS FAILED TO CONTINUE TO MEET THE REQUIREMENTS FOR SUCH PREFERENCE, THE SECRETARY MAY ORDER THE DIRECTOR OF PURCHASING TO: (A) RESCIND THE CONTRACT OR PURCHASE ORDER ISSUED; OR (B) ASSESS A PENALTY AGAINST SUCH BIDDER IN AN AMOUNT NOT TO EXCEED 5% OF THE BID AMOUNT AND THAT SUCH PENALTY WILL BE PAID TO THE CONTRACTING AGENCY OR DEDUCTED FROM ANY UNPAID BALANCE ON THE CONTRACT OR PURCHASE ORDER.</p> <p>BY SUBMISSION OF THIS CERTIFICATE, BIDDER AGREES TO DISCLOSE ANY REASONABLY REQUESTED INFORMATION TO THE PURCHASING DIVISION AND AUTHORIZES THE DEPARTMENT OF TAX AND REVENUE TO DISCLOSE TO THE DIRECTOR OF PURCHASING APPROPRIATE INFORMATION VERIFYING THAT BIDDER HAS PAID THE REQUIRED BUSINESS TAXES, PROVIDED THAT SUCH INFORMATION DOES NOT CONTAIN THE AMOUNTS OF TAXES PAID NOR ANY OTHER INFORMATION DEEMED BY THE TAX COMMISSIONER TO BE CONFIDENTIAL.</p> <p>UNDER PENALTY OF LAW FOR FALSE SWEARING (WEST VIRGINIA CODE 61-5-3), BIDDER HEREBY CERTIFIES THAT THIS CERTIFICATE IS TRUE AND ACCURATE IN ALL RESPECTS; AND THAT IF A CONTRACT IS ISSUED TO BIDDER AND IF ANYTHING CONTAINED WITHIN THIS CERTIFICATE CHANGES DURING THE TERM OF THE CONTRACT, BIDDER WILL NOTIFY THE PURCHASIN</p>						

SEE REVERSE SIDE FOR TERMS AND CONDITIONS

SIGNATURE	TELEPHONE	DATE
TITLE	FEIN	ADDRESS CHANGES TO BE NOTED ABOVE

WHEN RESPONDING TO RFQ, INSERT NAME AND ADDRESS IN SPACE ABOVE LABELED 'VENDOR'



State of West Virginia  
 Department of Administration  
 Purchasing Division  
 2019 Washington Street East  
 Post Office Box 50130  
 Charleston, WV 25305-0130

# Request for Quotation

RFQ NUMBER  
 LSH70141

PAGE  
 5

ADDRESS CORRESPONDENCE TO ATTENTION OF  
 ROBERTA WAGNER  
 304-558-0067

RFQ COPY  
 TYPE NAME/ADDRESS HERE

VENDOR

SHIP TO

HEALTH AND HUMAN RESOURCES  
 LAKIN HOSPITAL

1 BATEMAN CIRCLE  
 LAKIN, WV  
 25287

304-675-0860

DATE PRINTED 10/08/2006	TERMS OF SALE	SHIP VIA	F.O.B.	FREIGHT TERMS
----------------------------	---------------	----------	--------	---------------

BID OPENING DATE: 11/09/2006 BID OPENING TIME 01:30PM

LINE	QUANTITY	UOP	CAT. NO.	ITEM NUMBER	UNIT PRICE	AMOUNT
<p>DIVISION IN WRITING IMMEDIATELY.</p> <p>BIDDER: <i>Independent Lifestyles, Inc</i></p> <p>DATE: <i>10/31/06</i></p> <p>SIGNED: <i>Caine</i></p> <p>TITLE: <i>General Manager</i></p> <p>* CHECK ANY COMBINATION OF PREFERENCE CONSIDERATION(S) IN EITHER "A" OR "B", OR BOTH "A" AND "B" WHICH YOU ARE ENTITLED TO RECEIVE. YOU MAY REQUEST UP TO THE MAXIMUM 5% PREFERENCE FOR BOTH "A" AND "B". (REV. 12/00)</p> <p>NOTICE</p> <p>A SIGNED BID MUST BE SUBMITTED TO:</p> <p>DEPARTMENT OF ADMINISTRATION          PURCHASING DIVISION          BUILDING 15          2019 WASHINGTON STREET, EAST          CHARLESTON, WV 25305-0130</p> <p>A CONVENIENCE COPY WOULD BE APPRECIATED.</p> <p>THE BID SHOULD CONTAIN THIS INFORMATION ON THE FACE OF THE ENVELOPE OR THE BID MAY NOT BE CONSIDERED:</p> <p>SEALED BID</p>						

SEE REVERSE SIDE FOR TERMS AND CONDITIONS

SIGNATURE	TELEPHONE	DATE
-----------	-----------	------

TITLE	FEIN	ADDRESS CHANGES TO BE NOTED ABOVE
-------	------	-----------------------------------

WHEN RESPONDING TO RFQ, INSERT NAME AND ADDRESS IN SPACE ABOVE LABELED 'VENDOR'



1 each 2006 WheelChair Van with Lift

Ford E-250 Super Window Side Entry  
"or equal"

Fuel: Gas  
Engine: 4.6L V8 Automatic  
Wheelbase: 138"  
Floor Plan: 5 Ambulatory with 3 wheel chair tiedowns  
Color: White

Features:  
Raised Roof  
Fiberglass Headliner  
Certified Roll Cage  
Interior Lighting / 8600 lb. GVWR  
Overhead Front Cabinet with Light  
Rubber Flooring – One piece (no seams) Transit or Equal"  
ABS Fiberglass Walls and Headliner  
Backup Alarm  
Triangles  
Fire Extinguisher  
3 Passenger FlipSeat  
Rear Air Conditioning – Heat / Ducted to Ceiling  
Transmission Interlock – ADA  
3 Sets Kinedyne Tie Downs" or equal "  
Raised Side Doors – ADA  
Lift Light – ADA  
First Aid Kit  
3 Year/36,000 Mile Warranty – Non-Emergency  
Door Hold-Backs (no cords)  
Overhead Cabinet Door  
AM/FM Stereo w/Clock

Lift:

Ricon S-2010 "or equal" (at least 34" of usable platform)  
ADA Compliant Wheelchair Lift

Seats:

Freedman Three Passenger Side Facing Flip Seat (or equal)

Tiedowns:

Three (3) four point tiedowns ADA Compliant

Operating Manual and Parts Lists

107 ONLY

90 DAYS

ADD 279 W/NTD

ETD 1/15/07

NEXT MONTH

DELIVER FEB 1<sup>ST</sup>



# AFFIDAVIT

**West Virginia Code §5A-3-10a states:**

No contract or renewal of any contract may be awarded by the state or any of its political subdivisions to any vendor or prospective vendor when the vendor or prospective vendor or a related party to the vendor or prospective vendor is a debtor and the debt owned is an amount greater than one thousand dollars in the aggregate.

**DEFINITIONS:**

"Debt" means any assessment, premium, penalty, fine, tax or other amount of money owed to the state or any of its political subdivisions because of a judgment fine, permit violation, license assessment, defaulted workers' compensation premium, or any other assessment presently delinquent or due and required to be paid to the state or any of its political subdivisions, including any interest or additional penalties accrued thereon.

*Affidavit*

"Debtor" means any individual, corporation, partnership, association, limited liability company or any other form of business association owing a debt to the state or any of its political subdivisions.

"Political subdivision" means any county board of education; municipality; county board of education; any instrumentality established by a county, municipality, or county board of education; separate corporation or instrumentality established by one or more counties or municipalities, as permitted by law; or any public body charged by law with the performance of a government function or whose jurisdiction is coextensive with one or more counties or municipalities.

"Related party" means a party, whether an individual, corporation, partnership, association, limited liability company or any other form or business association or other entity whatsoever, related to any vendor by blood, marriage, ownership or contract through which the party has a relationship of ownership or other interest with the vendor so that the party will actually or by effect receive or control a portion of the benefit, profit or other consideration from performance of a vendor contract with the party receiving an amount that meets or exceeds five percent of the total contract amount.

**EXCEPTION:**

The prohibition of this section does not apply where a vendor has contested any tax administered pursuant to chapter eleven of this code, workers' compensation premium, permit fee or environmental fee or assessment and the matter has not become final or where the vendor has entered into a payment plan or agreement and the vendor is not in default of any of the provisions of such plan or agreement.

**LICENSING:**

The vendor must be licensed in accordance with any and all state requirements to do business with the state of West Virginia.

**CONFIDENTIALITY:**

The vendor agrees that he or she will not disclose to anyone, directly or indirectly, any such personally identifiable information or other confidential information gained from the agency, unless the individual who is the subject of the information consents to the disclosure in writing or the disclosure is made pursuant to the agency's policies, procedures and rules. Vendors should visit [www.state.wv.us/admin/purchase/privacy](http://www.state.wv.us/admin/purchase/privacy) for the Notice of Agency Confidentiality Policies.

Under penalty of law for false swearing (West Virginia Code, §61-5-3), it is hereby certified that the vendor acknowledges the information in this said affidavit and are in compliance with the requirements as stated.

Vendor's Name: Independent Lifestyles, Inc

Authorized Signature: *Caine Wood* Date: 10/31/06



State of West Virginia  
 Department of Administration  
 Purchasing Division  
 2019 Washington Street East  
 Post Office Box 50130  
 Charleston, WV 25305-0130

# Request for Quotation

RFQ NUMBER
LSH70141

PAGE
1

ADDRESS CORRESPONDENCE TO ATTENTION OF:
ROBERTA WAGNER 304-558-0067

VENDOR

Independent Lifestyles  
 4880 South Amherst Hwy  
 Madison Heights, VA 24572

SHIP TO

HEALTH AND HUMAN RESOURCES  
 LAKIN HOSPITAL  
  
 1 BATEMAN CIRCLE  
 LAKIN, WV  
 25287 304-675-0860

DATE PRINTED	TERMS OF SALE	SHIP VIA	F.O.B.	FREIGHT TERMS
10/20/2006				
BID OPENING DATE: 11/09/2006		BID OPENING TIME 01:30PM		

LINE	QUANTITY	UQP	CAT NO.	ITEM NUMBER	UNIT PRICE	AMOUNT
<p>*****ADDENDUM NO. 1*****</p> <p>1. QUESTIONS AND ANSWERS            2. ADDENDUM ACKNOWLEDGEMENT IS ATTACHED. THIS DOCUMENT SHOULD BE SIGNED AND RETURNED WITH YOUR BID. FAILURE TO SIGN AND RETURN MAY RESULT IN DISQUALIFICATION OF YOUR BID.</p> <p>QUESTION # 1            IS THE FLIP SEAT SIDE FACING? WHERE IS IT LOCATED?            RESPONSE: THE FLIP SEAT FACES THE CENTER OF THE VAN. IT IS LOCATED ALONG THE SIDE OF THE VAN BEHIND THE DRIVER'S SEAT.</p> <p>QUESTION #2            RUBBER FLOOR N/A IN ONE PIECE - RECOMMEND ONE PIECE ALTRO FLOOR W/WOOD?            RESPONSE: WE REQUIRE THE FLOORING BE IN ONE (1) PIECE, NO SEAMS, SEALED TO THE WALLS. WE TRANSPORT MANY INCONTINENT RESIDENTS SO WE NEED THE FLOOR TO REMAIN WATER TIGHT. WOOD IS NOT ACCEPTABLE.</p> <p>QUESTION # 3            PLASTIC WALLS AND HEADLINER?            RESPONSE: FIBERGLASS IS MORE DURABLE. WE TRANSPORT MANY UNSTABLE RESIDENTS, AND WHEELCHAIRS CAN BUMP INTO THE WALLS.</p> <p>QUESTION # 4            DOES LAKIN HOSPITAL QUALIFY FOR THE GOVERNMENT PRICE CONCESSION?            RESPONSE: YES, THE STATE QUALIFIED FOR GOVERNMENT PRICE CONCESSIONS.</p> <p>*****END OF ADDENDUM NO. 1*****</p>						

SEE REVERSE SIDE FOR TERMS AND CONDITIONS			
SIGNATURE	TELEPHONE	DATE	
TITLE	FEIN	ADDRESS CHANGES TO BE NOTED ABOVE	

WHEN RESPONDING TO RFQ, INSERT NAME AND ADDRESS IN SPACE ABOVE LABELED 'VENDOR'

Vendor:

Spending Unit:

Requisition No.: LSH70141

### ADDENDUM ACKNOWLEDGEMENT

I hereby acknowledge receipt of the following checked addendum(s) and have made the necessary revisions to my proposal, plans and/or specifications, etc.

**Addendum No.'s:**

No. 1  \_\_\_\_\_

No. 2 \_\_\_\_\_

No. 3 \_\_\_\_\_

No. 4 \_\_\_\_\_

No. 5 \_\_\_\_\_

I understand that failure to confirm the receipt of the addendum(s) is cause for rejection of bids.

  
Signature

Independent Lifestyles, Inc  
Company

10/31/06  
Date

# Independent Lifestyles 4880 S. Amherst Highway Madison Heights, VA 24572

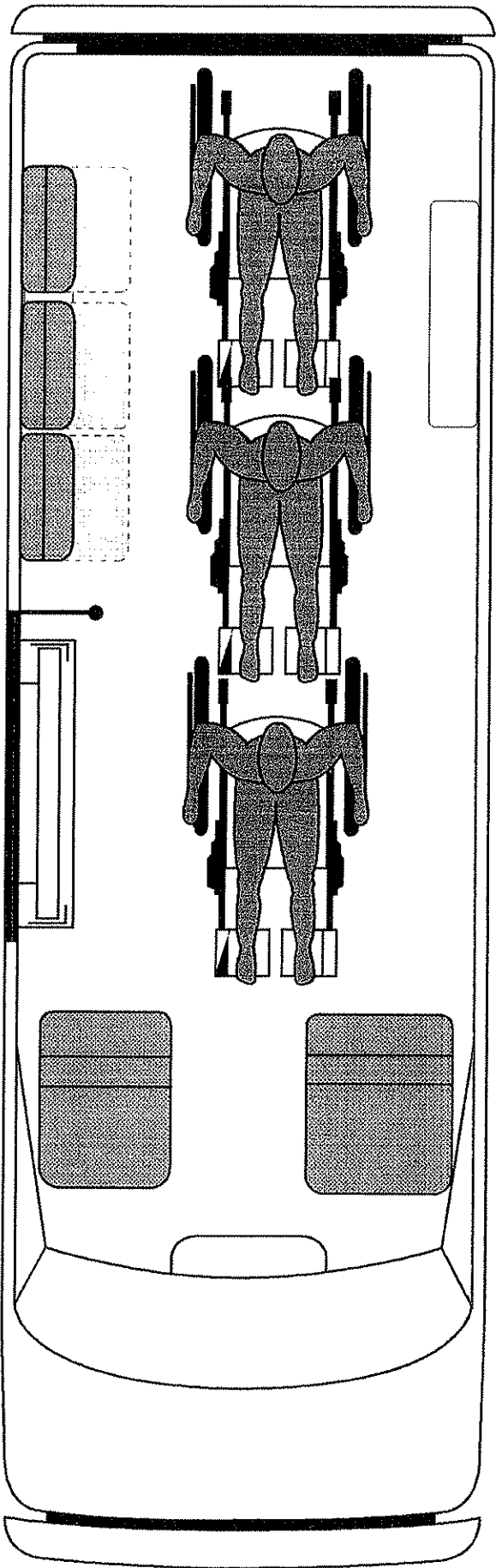
Roberta Wagner, Health and Human Resources 304-675-0860  
Lakin Hospital  
1 Bateman Circle Lakin, WV 25287

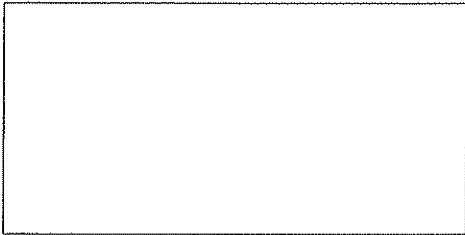
<b>Item #1</b>	<b>2007 Ford E-350 Extended Length Van, NEW</b>	<b>\$27,371.00</b>
	Model year change will take place during the quotation period so 2007 was substituted for 2006, White F350 extended length van was substituted for E250, 138" wheelbase, 5.4L V8 Triton Engine, Auto Trans.	
<b>Item #2</b>	<b>NL919IB lift</b>	<b>\$5,216.00</b>
	Braun ADA lift with multiple safety features, lifting capacity of 800# Specifications included. Platform dimensions-34" x 51" usable area, operating temperatures 19F to 149F	
<b>Item #3</b>	<b>16" Executive Top (raised roof), rollcage.</b>	<b>\$6,897.00</b>
	16" Raised roof panel with heat/air unit	
<b>Item #4</b>	<b>Fiberglass Headliner</b>	<b>\$1,743.00</b>
	Interior headliner made from low-porous fiberglass for insulation and ease of cleaning	
<b>Item #5</b>	<b>Interlock and Lift Light</b>	<b>\$197.50</b>
	Lift interlock ADA standards, lift light for safety	
<b>Item #6</b>	<b>Raised Door Panels to 57"</b>	<b>\$2,800.00</b>
	Raised door panels assure additional headroom entry of wheelchair clients	
<b>Item #7</b>	<b>Stepwell Light</b>	<b>\$179.00</b>
	Additional lighting for stepwell assists with ambulatory clients	
<b>Item #8</b>	<b>3 sets Sure Lok FE501 series wheelchair restraint</b>	<b>\$513.00</b>
	Each set of Sure Lok restraints matches to shoulder belts and "A" track anchors	
<b>Item #9</b>	<b>ABS plastic interior Side Walls, seamless floor</b>	<b>\$1,896.00</b>
	Altro flooring, and ABS interior walls aid in cleaning floor and walls with pressure washer or water hose	
Total Chassis cost		\$27,371.00
Total Additional Conversion costs		\$19,441.50
<b>Total</b>		<b>\$46,812.50</b>
<b>Agency Discount</b>	<b>5% discount to state agency</b>	<b>-\$2,340.63</b>
<b>Rebates and Manufacturer's Discounts</b>		<b>-\$1,500.00</b>
<b>Final Total</b>		<b>\$42,971.87</b>

**Delivery included at no additional charges.**

As equipped, van has overhead storage compartment, 50 state emissions control, 4 speed automatic transmission, 3.73 axle ratio. 60/40 cargo doors, dual bucket seats(easy-clean vinyl) in front, White paint, swing-out side windows and fixed cargos Flip out window on 60% cargo door window, fixed on 40% door. Extra Heavy Duty 135-amp Hour Alternator Three positions for chaired clients, and three flipdown seats with Braun Series 5 seatbelts for ambulatory clients. Refer to diagram to view positions of chaired clients and flipseat locations.

*Maxi or Super Van  
Full Size Dodge/Plymouth or Ford*





2007 Ford Econoline Cargo Van

• VEHICLE REPORT

2007 Ford Econoline Cargo Van S34 E-350 Super Duty Ext Commercial

SELECTED MODEL

Code	Description	Invoice	MSRP
S34	2007 Ford Econoline Cargo Van E-350 Super Duty Ext Commercial	W/A	W/A

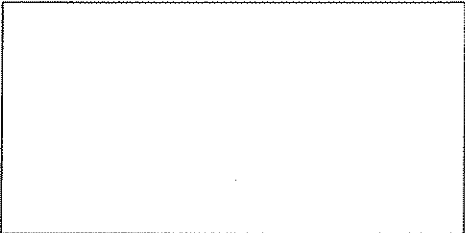
SELECTED VEHICLE COLORS

Code	Description
-	Interior: No color has been selected.
-	Exterior 1: No color has been selected.
-	Exterior 2: No color has been selected.

SELECTED OPTIONS

Code	Description	Invoice	MSRP
<b>EMISSIONS</b>			
425	50-STATE EMISSIONS	W/A	W/A
<b>ENGINE</b>			
99L	5.4L SOHC EFI V8 "TRITON" ENGINE (STD)	W/A	W/A
<b>TRANSMISSION</b>			
44Q	4-SPEED AUTOMATIC TRANSMISSION W/O -inc: aux cooler (STD) (REQ: 99L Engine)	W/A	W/A
<b>AXLE</b>			
X34	3.73 AXLE RATIO (REQ: 99L or 99S Engine)	W/A	W/A
<b>SERIES ORDER CODE</b>			
760A	COMMERCIAL SERIES ORDER CODE	W/A	W/A
<b>SIDE DOOR</b>			
	60/40 HINGED SIDE CARGO DOOR (STD)	W/A	W/A
<b>SEATING ARRANGEMENT</b>			
211	DUAL BUCKET SEATS (STD)	W/A	W/A
<b>SEAT TYPE</b>			
A_	VINYL TRIM (STD)	W/A	W/A
<b>PAINT</b>			

Report content is based on current data version referenced. Any performance-related calculations are offered solely as guidelines. Actual unit performance will depend on your operating conditions. PC Carbook®, Data Version: 117.3, Data updated 9/19/2006 8:30:00 AM ©Copyright 1986-2006 Chrome Systems Inc. All rights reserved. September 25, 2006



2007 Ford Econoline Cargo Van

• VEHICLE REPORT

2007 Ford Econoline Cargo Van S34 E-350 Super Duty Ext Commercial

SELECTED OPTIONS

Code	Description	Invoice	MSRP
	STANDARD PAINT	W/A	W/A
	<b>GLASS</b>		
17W	WINDOWS ALL-AROUND -inc: swing-out side & fixed rear cargo door glass, day/night rearview mirror (w/60S Cargo Door-inc: 60% flip-out window, 40% fixed window)	W/A	W/A
	<b>AMBULANCE PKG</b>		
47Z	AMBULANCE PREP PKG NOT REQUIRED	W/A	W/A
	<b>ADDITIONAL OPTIONS</b>		
551	INSULATION PKG -inc: full-length cloth headliner, cloth sunvisors, upper LH/RH B-pillar trim panels, polypropylene side & rear door trim panels (w/60S Cargo Door-inc: C/K sliding door track) (N/A w/47C or 18D Crew Van Pkgs or 96B Econo Cargo Hauling System)	W/A	W/A
63D	EXTRA HD 135-AMP ALTERNATOR (REQ: 99L or 99S Engine)	W/A	W/A
671	ONE-UP FRONT GAWR *N/A if max front GAWR is computer selected*	W/A	W/A
153	FRONT LICENSE PLATE BRACKET	W/A	W/A
166	FRONT/REAR VINYL FLOOR COVERING	W/A	W/A
<b>OPTIONS TOTAL</b>		<b>W/A</b>	<b>W/A</b>

Report content is based on current data version referenced. Any performance-related calculations are offered solely as guidelines. Actual unit performance will depend on your operating conditions. PC Carbook®, Data Version: 117.3, Data updated 9/19/2006 8:30:00 AM ©Copyright 1986-2006 Chrome Systems Inc. All rights reserved. September 25, 2006

• VEHICLE REPORT

2007 Ford Econoline Cargo Van S34 E-350 Super Duty Ext Commercial

STANDARD EQUIPMENT

**Mechanical**

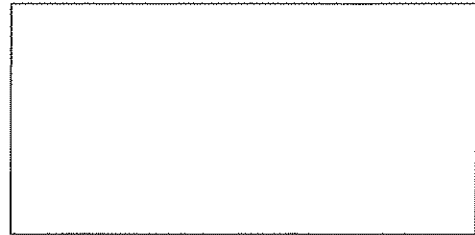
- 5.4L SOHC EFI V8 "Triton" engine
- 4-speed automatic transmission w/OD-inc: auxiliary cooler
- 3.73 rear axle ratio
- Rear wheel drive
- Electronic throttle control
- Maintenance-free battery
- 115-amp alternator
- 138" wheelbase
- 9400# GVWR
- Twin I-beam front suspension
- Semi-float rear suspension
- Handling pkg-inc: front stabilizer bar, HD front/rear shock absorbers
- LT245/75R16E all-season BSW tires
- Full-size spare tire
- 16" x 7" steel wheels w/full sport wheel covers
- Pwr steering
- Pwr 4-wheel anti-lock disc brakes

**Exterior**

- Front/rear medium platinum bumpers
- Painted grille
- Sealed-beam headlights
- Telescopic trailer tow mirrors
- Solar tinted glass
- Hinged 60/40 side cargo doors

**Interior**





**2007 Ford Econoline Cargo Van**

## • VEHICLE REPORT

2007 Ford Econoline Cargo Van S34 E-350 Super Duty Ext Commercial

### STANDARD EQUIPMENT

- *Dual vinyl front bucket seats*
- *Inboard armrest on front seats*
- *Color-keyed slim line engine console cover w/dual stowage, (4) cup holders*
- *Front black vinyl floor covering*
- *Black plastic stepwell pads*
- *Tilt steering column*
- *Medium dark flint-color instrument panel-inc: tachometer*
- *Front air conditioning*
- *AM/FM stereo radio-inc: (2) speakers, digital clock*
- *12-volt pwr point in instrument panel*
- *LH/RH black cowl trim panels*
- *Front vinyl headliner*
- *Medium flint-color trimmed vinyl sun visors*
- *Driver & front passenger A-pillar interior grab handle*
- *Lights-inc: front dome, rear cargo*
- *Courtesy light switches on all doors*

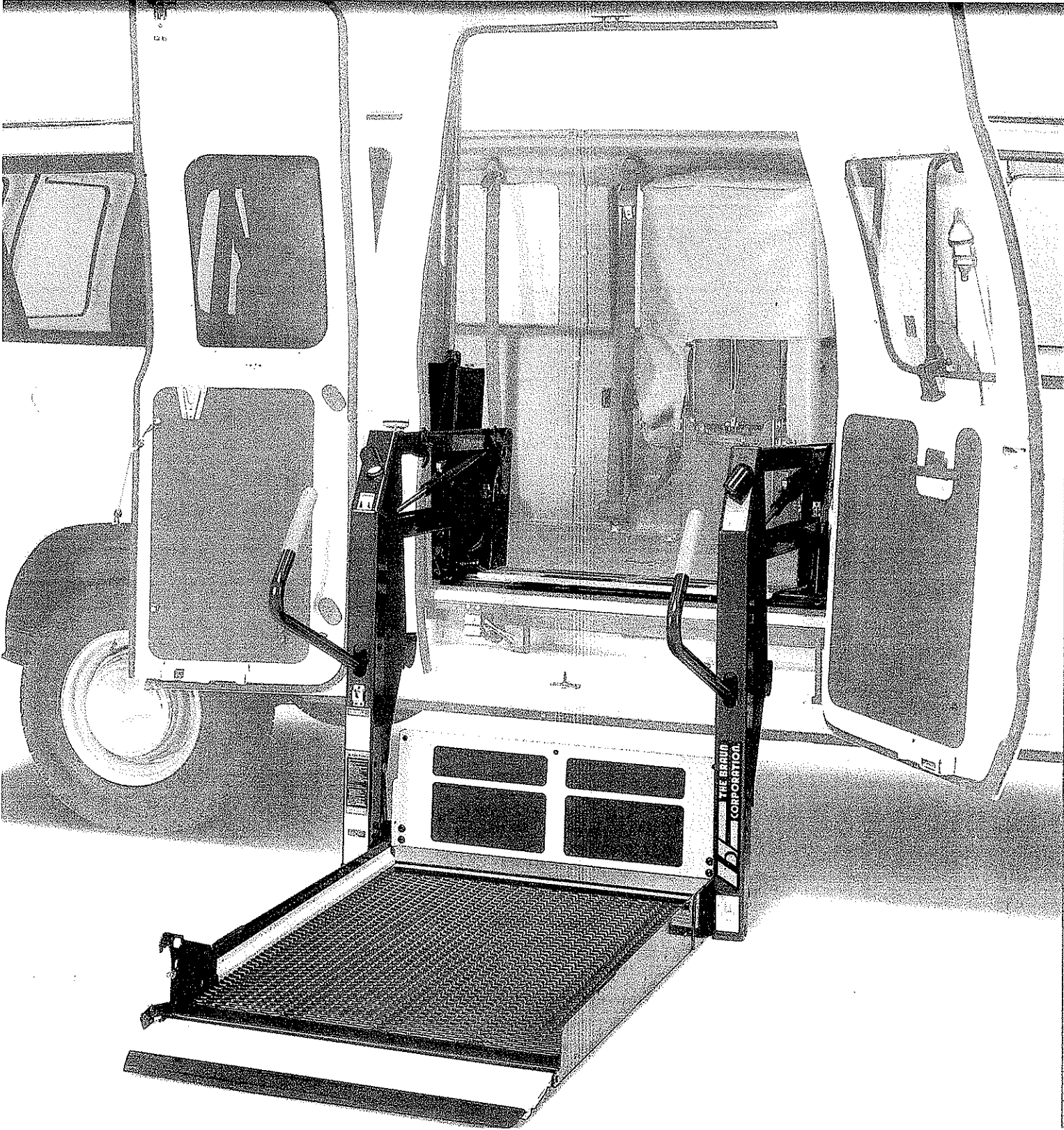
### **Safety**

- *Pwr 4-wheel anti-lock disc brakes*
- *Driver & front passenger second generation airbags*
- *Medium flint-color safety belts w/height adjustable D-ring*
- *Electric single note horn*

# THE BRAUN CORPORATION®

## APPLICATION GUIDE

2005 VOLUME 7, ISSUE 1



MILLENNIUM SERIES

# NL Millennium Series Models

## NL915IB & NL915FIB

NHTSA Compliant Usable Platform: 30" x 51"

## NL916IB & NL916FIB

NHTSA Compliant Usable Platform: 30" x 51"

## NL917IB & NL917FIB

NHTSA Compliant Usable Platform: 33" x 51"

## NL918IB & NL918FIB

NHTSA Compliant Usable Platform: 33" x 51"

## ➔ NL919IB & NL919FIB

NHTSA Compliant Usable Platform: 34" x 51"

**General Function:** Electrohydraulic, power up/gravity down operation

**Operation:** Hydraulic pump with two lifting cylinders

**Control:** hand-held control box

**Hydraulic:** Pressure Max. 2,495 psi, Fluid is Dextron 3 (Automatic Transmission Fluid), Oil reservoir is .33 gal

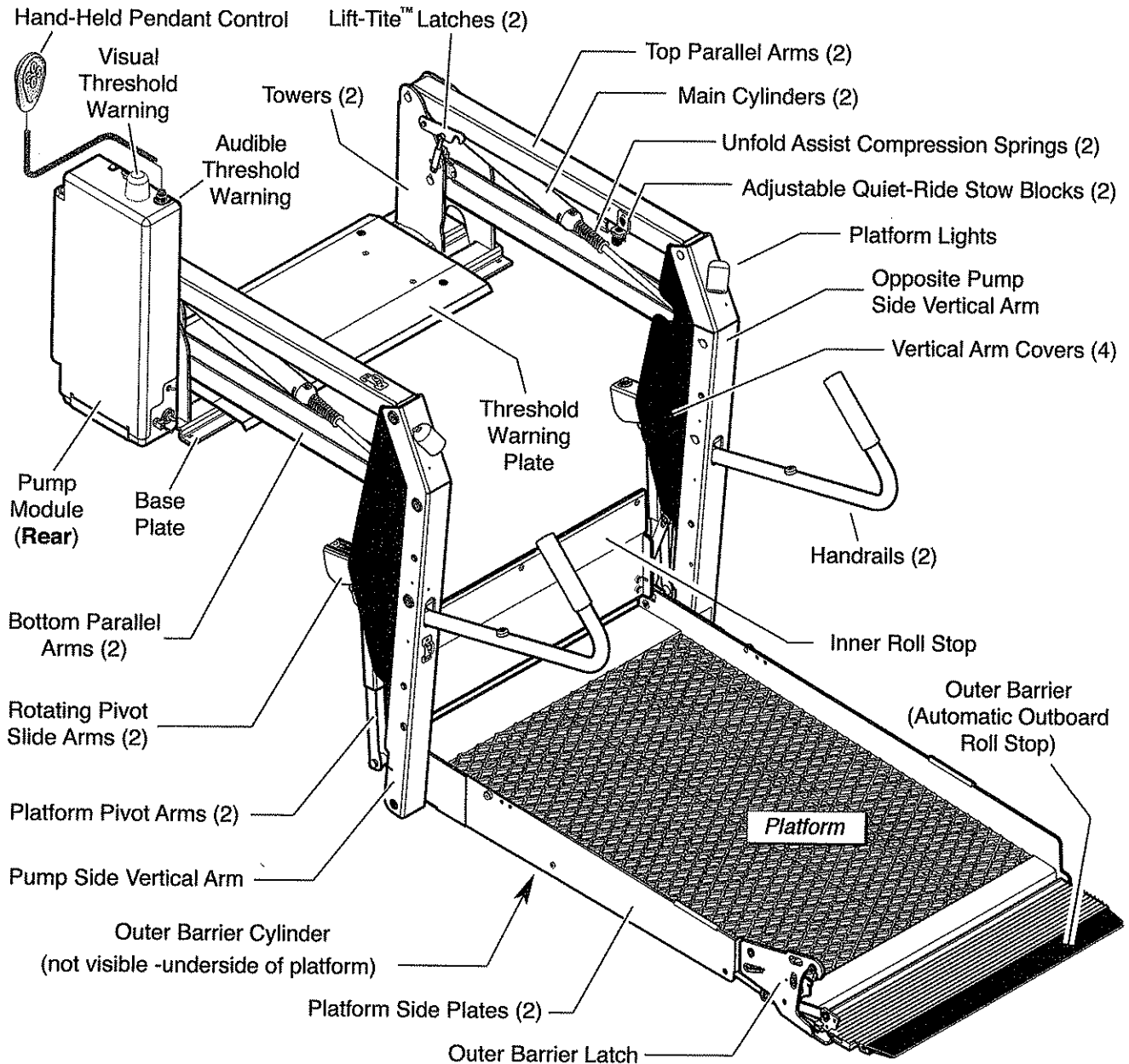
**Construction:** Steel structure with powder coat finish

**Operating Temperature:** 19°F to 149°F

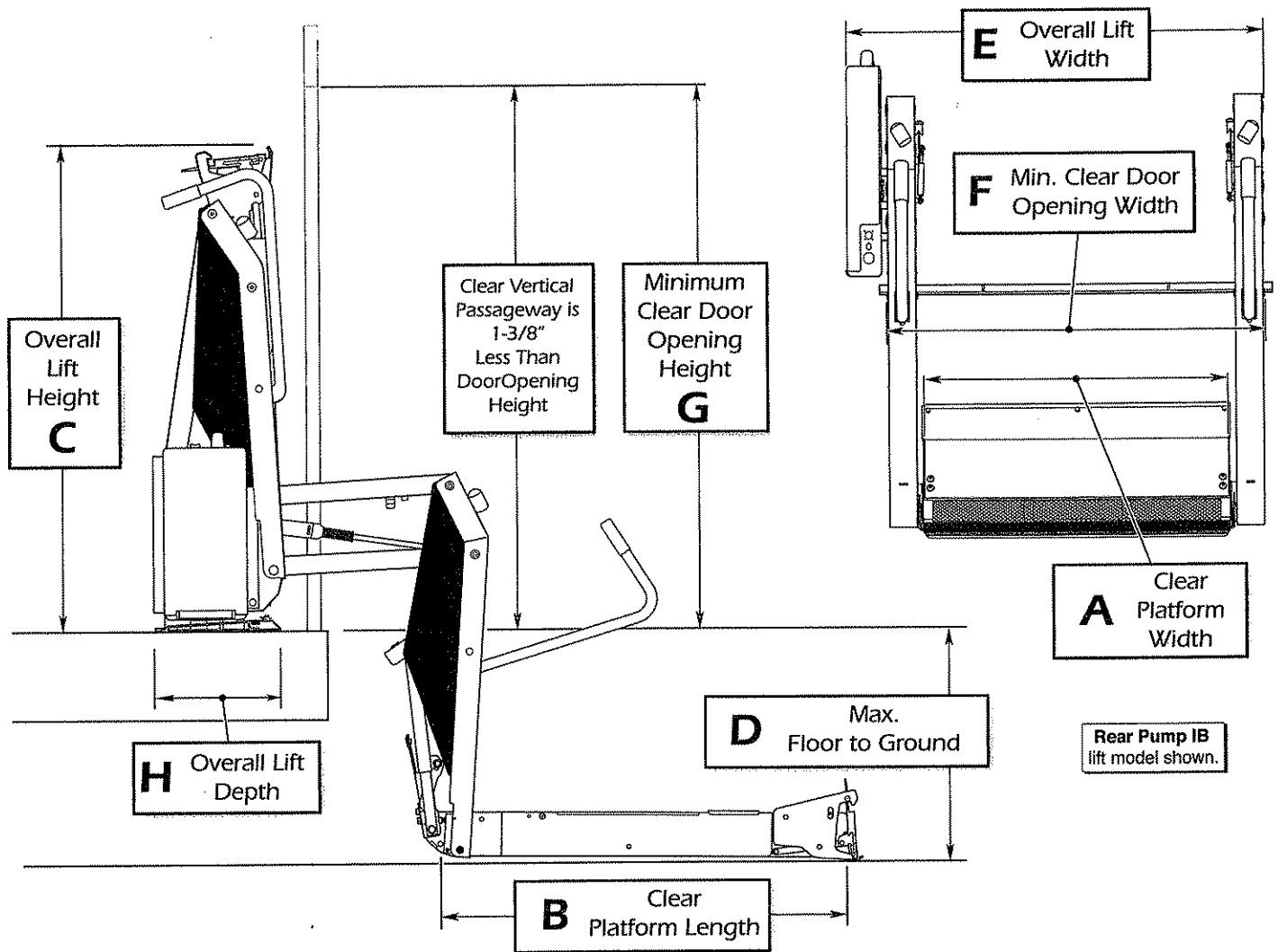
**Power Supply:** 12VDC

**Current Consumption:** Max. 70A (12V)

F = Front Pump IB = Inboard Barrier For a front-mounted pump assembly, add "F" to the model number when ordering (example: NL917FIB).



# NL Millennium Series Dimensions



All dimensions are for reference only.

NL - Millennium Series			A	B	C	D	E	F	G	H
Lift Model Number	Lift Weight lbs	Lifting Capacity lbs	Clear Platform Width	Clear Platform Length	Overall Lift Height	Max. Floor to Ground	Overall Lift Width	Min. Clear Door Opening Width	Min. Clear Door Opening Height	Overall Lift Depth
NL915IB	356	800	30"	51"	54.75"	42"	42.25"	39"	57.375"	14"
NL915FIB	356	800	30"	51"	54.75"	42"	42.25"	39"	57.375"	14"
NL916IB	356	800	30"	51"	56.25"	48"	42.25"	39"	57.375"	14"
NL916FIB	356	800	30"	51"	56.25"	48"	42.25"	39"	57.375"	14"
NL917IB	356	800	33"	51"	56.25"	48"	45.25"	42"	57.375"	14"
NL917FIB	356	800	33"	51"	56.25"	48"	45.25"	42"	57.375"	14"
NL918IB	356	800	33"	51"	54.75"	42"	45.25"	42"	57.375"	14"
NL918FIB	356	800	33"	51"	54.75"	42"	45.25"	42"	57.375"	14"
NL919IB ←	358	800	34"	51"	56.25"	48"	46.25"	43"	57.375"	14"
NL919FIB	358	800	34"	51"	56.25"	48"	46.25"	43"	57.375"	14"

## NL Millennium Series Features

- ✓ fully automatic NHTSA compliant lift, operated by an attendant
- ✓ loading position - either direction
- ✓ interfaces with OEM interlocks
- ✓ lift mounted lights - platform illuminated as it deploys
- ✓ ergonomic hand-held control box with illuminated switches for easy operation of the lift, telephone-style cord and hand control are easily replaceable
- ✓ locking mechanical Inboard Barrier (IB), powder coated yellow for safety and high visibility, prevents operation if occupied, provides warning if not locked
- ✓ pump design prevents platform folding when occupied, quiet operation and low current draw
- ✓ durable redesigned baseplate reduces lift weight and allows for quicker and easier service of hose/wiring
- ✓ easily installed, step-by-step installation instructions, no peripheral hardware required
- ✓ visual and audible warning provides notification of unsafe conditions
- ✓ hydraulic outer barrier that will be in the fully up position as the platform leaves the ground, has durable rubber nose guard and is powder coated yellow for safety and high visibility
- ✓ parallel arms lift with hydraulic cylinders
- ✓ side or rear door application
- ✓ several platform widths and lengths
- ✓ dual handrails for security and convenience
- ✓ bridging feature permits the wheelchair user to board the lift from sidewalks or inclines
- ✓ floor to ground travel is 42" or 48" (depending on model)
- ✓ lifting capacity is 800 lbs
- ✓ integrated back-up pump
- ✓ equipped with an adjustable anti-rattle feature to avoid unpleasant noise in the vehicle during transit
- ✓ durable high-gloss powder coated finish
- ✓ Lift-Tite system stows the lift platform securely while the vehicle is in transit
- ✓ pump module with removable cover offers easy access to all components

**NL MILLENNIUM SERIES**

**BRAUN MILLENNIUM SERIES**

# NL Millennium Series Specifications

## COMMERCIAL WHEELCHAIR LIFT SPECIFICATIONS IN COMPLIANCE WITH

United States Department of Transportation Rules and Regulations 49CFR, Part 38.  
**FROM THE AMERICANS WITH DISABILITIES ACT OF 1990 and NHTSA Rule 403 (2004)**  
"Provided to make your spec writing easier."

The wheelchair lift is compliant with Federal Motor Vehicle Safety Standard 403 for platform lift systems for motor vehicles. The lift shall have been tested to a minimum static load of 2400#. The lift shall have 800# rated lifting capacity. The base plate shall be a corrugated designed member to provide rigidity to minimize lift deflection when placed under load.

The power supply shall be a 12 volt electric hydraulic system operating two single-acting cylinders. The hydraulic power pack system shall be of modular design allowing for easy removal and field replacement, if needed. There shall be no power-down operation. The operation of the unit shall provide a smooth, jerk-free ride in both up and down directions. The power operation of the hydraulic cylinders shall be of a pull-type design for smooth lifting operation and improved synchronous arm movement. The pivot pins in the trunnion (knuckle) of the pivot arms shall be of stationary design. The hydraulic system shall be regulated by two separate relief valves, one of which is designed to prevent accidental stowing when occupied.

The switch box for lift operation shall be of a one-hand operation design made of durable ABS plastic. The control box will provide user with illuminated functions. The control cable shall be coiled with modular jack connections for ease of maintenance or field change.

A manual back-up system shall be provided to ensure operation of the lift in case of electrical failure. The backup system shall provide a reliable means of manually raising and lowering the lift while occupied. The back-up system shall fold and unfold the platform. The back-up pump shall be integrated with the hydraulic power pack system such that no hydraulic lines or fittings are required for fluidic transfer.

The platform shall be of steel construction and the surface shall be of see-through grating allowing for improved visibility and safer use in inclement weather. The platform shall have a minimum usable wheelchair passageway width of 33 inches and a minimum usable length of 51 inches requiring a 57 inch vertical clear door opening. The sides of the platform shall be a minimum of 2-1/2 inches high.

The platform shall be automatically folded and unfolded and fully automatic in operation. The platform shall allow both inboard and outboard facing of wheelchair and mobility aid users. The platform entrance ramp shall be extruded aluminum for weight savings and have raised ribs for traction. The outer barrier shall be power activated, and must be in the vertical (deployed) position prior to platform movement. The outer barrier shall be the sole outboard wheelchair retention device and shall be interlocked and comply with the FMVSS 403 requirements. Dual handrails shall be provided to add security and convenience. These handrails shall be 1-1/4 inch minimum diameter, minimum 30 inches in height, minimum of 8 inches in length, and withstand a 100# force in any direction (including vertical) without permanent deformation. The lift shall be designed with no microswitches for horizontal platform position sensing.

All lift components shall be finished with a baked-on powder coating, which will meet a salt spray test of 1000 hours, to provide corrosion resistance and a long service life. Braun Millennium Series to include but not limited to the following model numbers:

- NL915IB, NL915FIB, NL916IB, NL916FIB, NL917IB, NL917FIB, NL918IB, NL918FIB, NL919IB, NL919FIB

MI  
MILLENNIUM  
SERIES